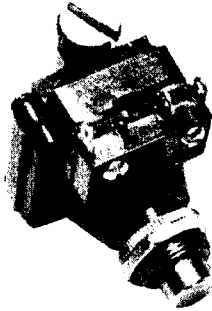


# TIME CONTROL



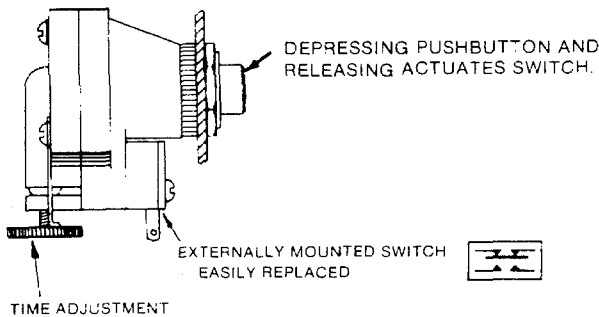
## MODEL 90 SERIES MINIATURE PNEUMATIC TIMER



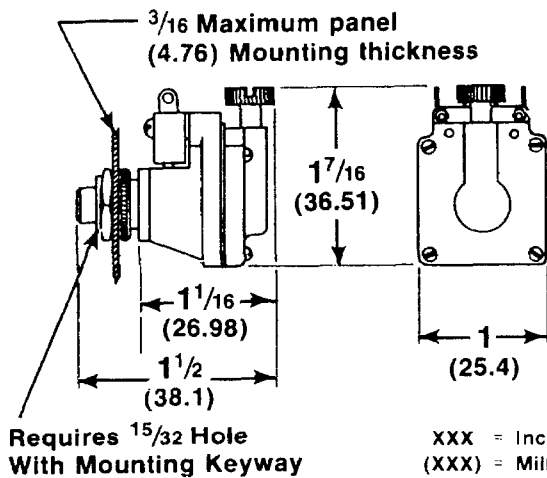
— Actual Size —  
(Timer Fits in  
1½ in. cube)

... Opens or closes a circuit after an adjustable time delay.

### OPERATION



### DIMENSIONS



## SPECIFICATIONS

### Operating Force

Start: 6 oz.  
End: 8 oz.  
Pre Travel: .068"  
Over Travel: .057"  
Differential: .045"  
Total Travel: .125"

### Timer Body

Lexan® Plastic Molded Body for:

- High impact strength
- Heat resistance
- High strength at low temperature
- Non-corrosion
- Oil and stain resistance
- Good electrical properties

### Time Range

2 seconds to 60 seconds standard ± 15%  
(Factory set to time between 25 and 45 seconds when shipped)

### Switch Rating

10 Amp. (Resistive)  
120-240 VAC

### Terminals

Solder type or screw type

### Temperature Range

+15° to + 120°F (-9° to +49°C)

### Repeat Accuracy

± 10%

### Timer Life

1,000,000 operations

### Laboratory Testing

C.S.A. Certification LR-26861  
U.L. Recognition E79139



### Ordering Information

**90-01041** STANDARD. Pushbutton timer with solder type terminals on switch.

## Eagle Signal Controls

A Division of Mark IV Industries, Inc.  
8004 Cameron Road, Austin, Texas 78753 U.S.A.

MODEL 90

BULLETIN 180

## Dynapar, Veeder Root, and Eagle Signal Brands:

Sales, Repair, and Application Support:  
1675 Delany Rd.  
Gurnee, IL. 60031  
847-662-4150 Sales/Order Entry Fax  
847-782-5277 Applications Support Fax  
800-873-8731 Sales/Order Entry  
800-234-8731 Applications Support

## NorthStar Brand:

Sales, Repair, and Application Support:  
1675 Delany Rd.  
Gurnee, IL. 60031  
847-782-5288 Sales/Order Entry Fax  
847-782-5277 Applications Support Fax  
800-326-6216 Sales/Order Entry  
800-326-6216 Applications Support

## Partlow, West, Rustrak, and LFE Brands:

Sales, Repair, and Application Support:  
1675 Delany Rd.  
Gurnee, IL. 60031  
847-662-4150 Sales/Order Entry Fax  
847-782-5277 Applications Support Fax  
800-873-8731 Sales/Order Entry  
800-866-6659 Applications Support

Please disregard all phone numbers and addresses in this manual. The phone numbers and address on this page are the correct phone number and addresses to use for sales, repair, and application support.