



CX200 Series Microprocessor Timer/Counter

The CX200 Series is a microprocessor based timer/counter housed in a standard 15 terminal CYCL-FLEX® plug-in case. Time or count operation, time range, and standard or reverse start operation is selected by 7 miniature rocker switches located inside the unit housing.

Time or count setpoints are entered into the unit using a sealed membrane keypad on the front of the unit. Each digit in the setpoint is individually increased or decreased by pressing the appropriate keypad switch.

Time or count setpoint and progress is displayed on the front of the unit by a 4 1/2 digit liquid crystal display with .5 inch digits. Time or count subtracts from the setpoint and the output changes state at zero.

Operational mode annunciators also appear in the display area on the front of the unit. The mode annunciator flashes when the unit is timing or counting.



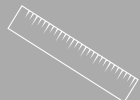
- Five different time ranges
- Two count rates
- Two relay outputs - socket mounted for easy replacement
- N.O. solid state MOSFET, delayed action switch rated at 1 ampere continuous load current, 0-264 VAC 50/60 Hz or DC
- Ideal output for switching low level signals and high voltage loads
- Programmed outputs operate in one of four load sequences
- Standard start is defined as ON delay reset timer or counter
- For standard start units, timer/counter resets on power failure
- Non-volatile memory data retention



TIME



COUNT



MEASURE

8:43

DISPLAY



CX200 Series Microprocessor Timer/Counter

ESVR 09082016

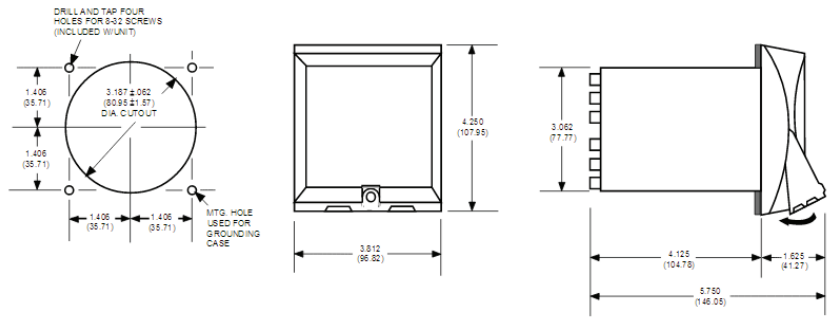
SPECIFICATIONS

TIME RANGES	See table below.
OPERATING VOLTAGE/FREQUENCY	A6 - 120 VAC, 50/60 Hz; B6 - 240 VAC, 50/60 Hz; K6 - 208 VAC, 50/60 Hz
SETTING ACCURACY	Time: $\pm 0.1\%$ or 50 ms, whichever is larger (0° to 60°C); Count: 100%
REPEAT ACCURACY	$\pm 0.001\%$ or 35 ms, whichever is larger (0° to 60°C); COUNT: 100%
RESET TIME	30 ms following voltage removal from simulated clutch input (CR1)
POWER ON RESPONSE	300 ms maximum after voltage applied to terminal 11
OPERATING TEMPERATURE	32° to 140° (0° to 60°C)
OUTPUT RATING	Relay: 10 amp (resistive), 120 VAC; Mechanical Life: 20 million operations; Electrical Life: contingent upon controlled load; Solid State: 1 amp, 0-264 VAC, VDC
STATIC DISCHARGE	Unit function is unaffected by a constant 3600 volt peak, 60 Hz discharge applied to the grounded front plate at a relative humidity of less than 25%
VIBRATION	Unit function is unaffected by 2.5G sinusoidal vibration magnitude in both directions of the perpendicular mounting axes imposed from 10 to 100 Hz
APPROVALS	UL Recognition E96337; CSA Certification LR26861

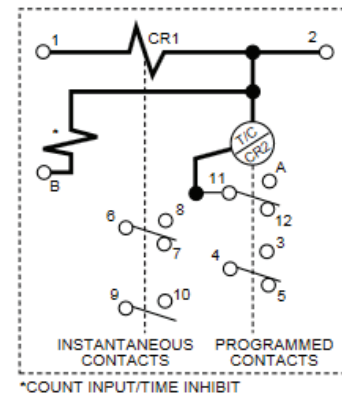
TIME RANGES

SYMBOL	MAXIMUM RANGE	MINIMUM SETTING	COUNT RATE
1	19999 Cts.	1 Ct.	500/Min. AC
2	19999 Cts.	1 Ct.	5000/Min. AC
3	199.99 Sec.	.01 Sec.	
4	1999.9 Sec.	.1 Sec.	
5	19.999 Sec.	.001 Sec.	
6	199 Min.: 59 Sec.	1 Sec.	
7	199 Hr.: 59 Min.	1 Min.	

DIMENSIONS



TERMINAL ASSIGNMENTS



ORDERING INFORMATION

Available Models

- CX202A6 10 amp Relay Output, 120VAC, 50/60Hz
- CX202B6 10 amp Relay Output, 240VAC, 50/60Hz
- CX202K6 10 amp Relay Output, 208VAC, 50/60Hz

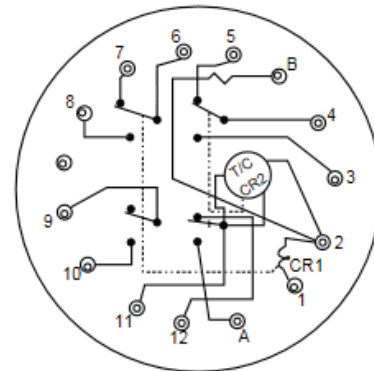
Enclosures

- HN308 NEMA Class 1, Surface Mounting with Terminal Block
- HN364 NEMA Class 1, Surface Mounting without Terminal Block

Accessories

- HP50-131 CYCL-FLEX Water-Sealed Housing
- HP50-133 Surface Mounting Adapter to use in place of brackets

TERMINALS AND WIRING DIAGRAM ON REAR OF TIMER CASE



Eagle Signal Controls

1.800.390.6405

customer.service@sptech.com

www.eagle-signal.com

2100 West Broad Street
Elizabethtown, NC 28337