

Electrical Data

Standard reed switches in GEMS level switch units are hermetically-sealed, magnetically actuated, make-and-break type. Switches are SPST or SPDT and are rated in Volt-Amps (VA).

See the chart below for maximum load characteristics of GEMS level switches. CAUTION: Contact protection is required for transient or high in-rush current. Refer to GEMS Bulletin #133702 or call your GEMS representative.

VA	Volts	Amps AC	Amps DC
10 General Use	0-50	.2	.13
	120	.08	N.A.
20 Pilot Duty	100	N.A.	.10
	0-30	.4	.3
50 General Use	120	.17	.13
	240	.08	.06
100*	0-50	0.5	0.5
	120	.4	.4
100*	240	.2	.2
	120	.8**	N.A.
100*	240	.4	N.A.

* Not U.L. Recognized ** Limited to 50,000 operations

European Pressure Directive Addendum

The product is designed and manufactured in accordance with Sound Engineering Practice as defined by the Pressure Equipment Directive 97/23/EC. This product must not be used as a "safety accessory" as defined by the Pressure Equipment Directive, Article 1, Paragraph 2.1.3. The presence of a CE Mark on the unit does not relate to the Pressure Equipment Directive.



This product is suitable for Class I and Class II applications only, per the requirements of standard EN60730 and any additional specific requirements for a particular application or medium being sensed. Class I compliance of metal bodied units requires a ground connection between the metal body and the earthing system of the installation. Class I compliance of plastic bodied units in contact with a conductive medium requires that the medium be effectively earthed so as to provide an earthed barrier between the unit and accessible areas. For Class III compliance, a supply at safety extra-low voltage (SELV) must be provided. Please consult the Factory for compliance information on specific part numbers.

Important Points!

Product must be maintained and installed in strict accordance with the National Electrical Code and GEMS product catalog and instruction bulletin. Failure to observe this warning could result in serious injuries or damages.

An appropriate explosion-proof enclosure or intrinsically safe interface device must be used for hazardous area applications involving such things as (but not limited to) ignitable mixtures, combustible dust and flammable materials.

*** Warning: To prevent ignition of flammable or combustible atmospheres, disconnect power before servicing.

Pressure and temperature limitations shown on individual catalog pages and drawings for the specified level switches must not be exceeded. These pressures and temperatures take into consideration possible system surge pressures/temperatures and their frequencies.

Selection of materials for compatibility with the media is critical to the life and operation of GEMS level switches. Take

care in the proper selection of materials of construction; particularly wetted materials.

Life expectancy of switch contacts varies with applications. Contact GEMS if life cycle testing is required.

Ambient temperature changes do affect switch set points, since the specific gravity of a liquid can vary with temperature.

Level switches have been designed to resist shock and vibration; however, shock and vibration should be minimized. Liquid media containing particulate and/or debris should be filtered to ensure proper operation of GEMS products.

Electrical entries and mounting points may require liquid/vapor sealing if located in an enclosed tank.

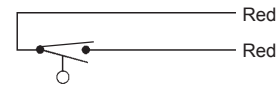
Level switches must not be field repaired.

Physical damaged sustained by the product may render it un-serviceable.

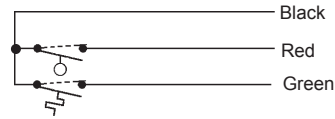
Typical Wiring Diagrams

(Circuit Condition Dry)

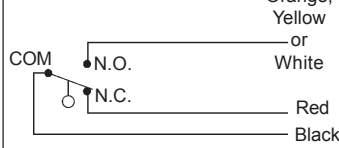
SPST, Normally Open or Closed



SPST, With Thermostat Option



SPDT



Thermostat switches open or close when ambient temperature reaches specified setpoint. Thermostat units not CE approved.



Single-Station Level Switches

Instruction Bulletin No. 72947

Series	Mounting	HEX Size	Float Diameter
LS-1700**	1/8" NPT	1/2"	1" (Slosh Shield Version 1-13/32")
LS-1700TFE*	1/8" NPT	1/2"	1-1/8"
LS-1750**	1/8" NPT	1/2"	1-1/2" (Slosh Shield Version 1-13/16")
LS-1755**	1/8" NPT	1/2"	1-1/32"
LS-1800**	1/8" NPT	1/2"	1-1/4"
LS-1850**	1/2" NPT	3/4" Wrench Flat	3-1/2"
LS-1900**	1/4" NPT	5/8"	1-7/8"
LS-1900TFE*	1/4" NPT	21/32"	2-1/8"
LS-1950**	1/4" NPT	5/8"	2-1/16"
LS-19735*	1/4" NPT	5/8"	1-1/2"
LS-3*	1/8" NPT	1/2"	1"
	3/8" - 16 Str. Thd.	1/2"	1"
	1/8" NPT	1/2"	1-1/4" (Slosh Shield Version)
	1/8" NPT	1/2"	1-7/8" (P/N 76707)
LS-30*	1/4" NPT	5/8"	3/4" (P/N 201540)
LS-30*	1/4" NPT	5/8"	1-7/8"
LS-38760**	1/4" NPT	9/16" Wrench Flat	1-7/8"
LS-74780*	1/4" NPT	5/8"	1-1/2"
LS-77700**	1/8" NPT	1/2"	1"
	3/8" - 24 Str. Thd.	3/4"	1-1/2"
TH 800-A*** Level Temp	1/4" NPT	5/8"	1-1/4"

* Plastics

** Alloys

*** **Specialty Switches:** Please use caution when handling these units, as shock may damage the thermostat temperature setting. Thermostat units not CE approved.

P/N 72947
Rev. Y



Gems Sensors Inc.
One Cowles Road
Plainville, CT
06062.1198
tel 860.747.3000
fax 860.747.4244

Installation

A standard NPT female boss in tank top, bottom or side is all that is required. Units operate in any attitude - from the vertical to a 30° inclination - with lead wires up or down. Standard IPS pipe extends units to any intermediate level in the tank. **(Figure 1)**

Moisture Protection: When moisture exists in conduit and extension pipes, the potential for this moisture to "wick" down the wire leads and into the switch assembly exists. Should this happen, the switch will appear to be closed due to a high resistance path through the moisture. The following suggestions may help to prevent this from happening:

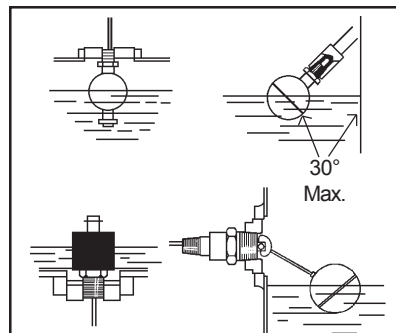
1. Pitch conduit away from the level switch when possible, so that condensation will drip away from the level switch assembly.

(Figure 2)

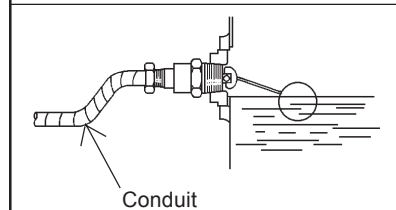
2. When a vertical run of extension pipe is used to extend a level switch down from the top of the tank, a non-conductive silicone oil should be used to fill the vertical run. Alternatively, an appropriate potting may be used to fill the vertical run to occupy the space in which condensation will normally form. **(Figure 3)**

CAUTION

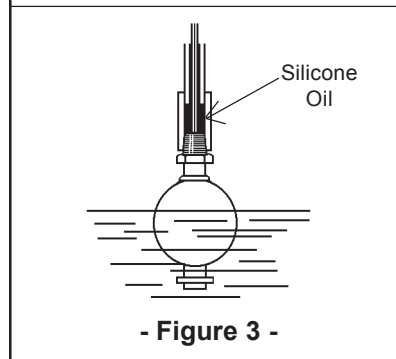
Most of GEMS level products incorporate a potting cap or are fully potted. Due to the bonding characteristics of the potting to the wire leads, there is no way of assuring a water-tight seal at the potting joint. Our potting cap will resist moisture to some degree, but the precautions mentioned above should be used to assure moisture doesn't enter the switch and cause a short.



- Figure 1 -



- Figure 2 -



- Figure 3 -

Consult your GEMS representative for more suggestions on how to lessen the effects of moisture.

Thread Treatment

1. **Sealing:** When threading metal threads into a metal coupling, pipe sealant or Teflon® tape is recommended. Due to potential compatibility problems, when sealing plastic threaded units, a compatible pipe sealant such as **No More Leaks™** from Permatex® is recommended.

2. **Tightening:** When threading a plastic level switch into a metal coupling, the installer should use a suitable wrench and tighten the threads one to one and one-half additional turns past hand-tight. Over-torquing of the threads will result in damage to the plastic mounting plug.

No More Leaks is a trademark of Permatex® Industrial Corp., a subsidiary of Loctite Corporation. **Teflon** is a registered trademark of DuPont Corporation

3. The Effect of Thread Engagement on Actuation Points

The length of mounting threads engaged at installation is important in calculating switch actuation points and the actual length of stem extending into the tank. Use **the chart below** to find the thread engagement length (T) for a given NPT size. Factor the dimension into any calculation of switch actuation levels (L) and overall length (L₀).

NPT	1/8"	1/4"	1/2"	3/4"	1"	1-1/4"	2"	3"
T Dim.	.27"	.39"	.53"	.55"	.68"	.71"	.76"	1.20"

- See Examples Below -

Definition of Variables Used in Examples Below

A = Mounting Length

T = Thread Engagement

P = Distance from coupling (bung) top to inside surface of tank or bracket

L₀ = Overall length from bottom of mounting

L = Switch actuation level as measured from inside surface of tank or bracket to fluid surface

L₁ = Switch actuation level, nominal, as measured from bottom of mounting (based on a liquid specific gravity of 1.0)

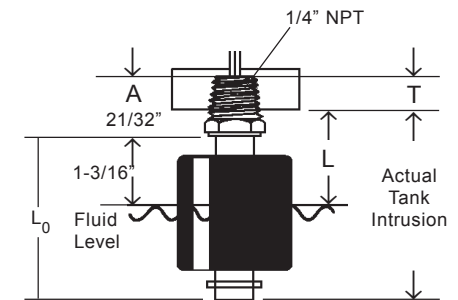
Internally Mounted LS-1900 (Standard Length)

LS-1900 Series internally mounted through a 1/4" NPT hole. To calculate "L" dimension:

$$L = L_1 + (A - T)$$

$$L = 1-3/16" + (21/32" - .39")$$

$$L = 1.46"$$



Internally Mounted LS-1700/1750 (Standard Length)

LS-1700/1750 internally mounted through a 1/8" NPT hole. To calculate "L" dimension:

$$L = L_1 + (A - T)$$

$$L = .63" + (.56" - .27")$$

$$L = .92"$$

