



## HEAD MOUNTING TRANSMITTER

## Mp82820-T / Mp82830-T

### 2-wire head mounting transmitter

### Mp82820-T / Mp82830-T

- Microprocessor based
- Most common thermocouple inputs
- Fully linearized
- RFI / EMI protected
- High accuracy (Typical 0.2%)
- 5 Year warranty



## Specifications

Input thermocouple	K, J, T, E, N
Minimum Span	50°C (90°F)
Output	4...20 mA or 20...4 mA
Linearization	On / Off
Cold Junction Compensation	On / Off
Supply	5...40 VDC, Polarity Protected
Sensor Lead Resistance, T/C	10K Ohm max.
Open Circuit Detection	Upscale / Downscale
Load Capability	Vbat-5V / 20 mA
Startup Time	10 sec.
Warmup Time	2 Min.
Ambient Operating Temp.	-40...+ 85°C (-40...+ 185°F)
Ingress Protection	IP30
Storage Temperature	-40...+100°C (-40...+ 212°F)
Housing Material	Makrolon
Housing Dimensions Mp82820-T	43mm Dia. x 23mm H. (1.69" x 0.91")
Housing Dimensions Mp82830-T	43mm Dia. x 19mm H. (1.69" x 0.75")
Housing Dimensions with Cover	49mm Dia. x 25mm H. (1.93" x 0.98")

## Order information and options

### Example:

- Model Mp82820-T Transmitter with plastic connection terminals (cover included)  
 Model Mp82830-T Transmitter with metal connection terminals (cover included)

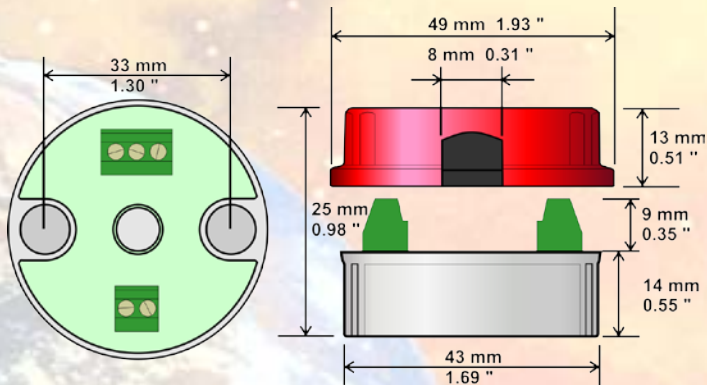
### Options:

- IF = Interface and software

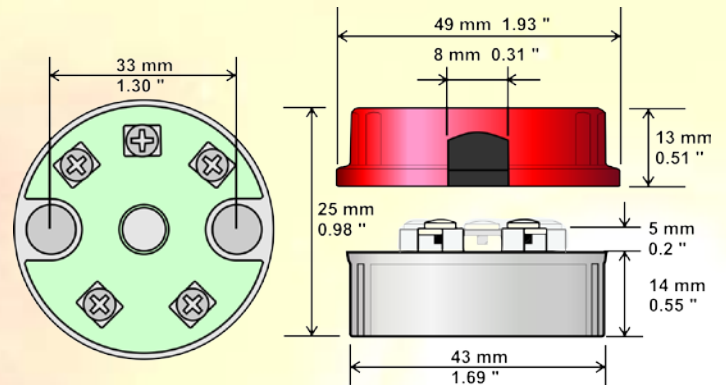


## Dimensions

### Model Mp82820-T



### Model Mp82830-T



## Sensor ranges

Sensor type	Temp. Min.		Temp. Max.		Span Min.	
	°C	°F	°C	°F	°C	°F
K (NiCr-Ni)	-270°C	-454°F	1370°C	2498°F	50°C	90°F
J (Fe-CuNi)	-200°C	-328°F	1200°C	2192°F	50°C	90°F
T (Cu-CuNi)	-270°C	-454°F	400°C	752°F	50°C	90°F
E (NiCr-CuNi)	-270°C	-454°F	1000°C	1832°F	50°C	90°F
N (NiCrSi-NiSiMg)	-270°C	-454°F	1300°C	2372°F	50°C	90°F

