

Temperature PID Controllers

CE certification

The user can define the indication of configuration steps for easy access to parameters.

Accepts 8 types of TC inputs, 2 types of RTD inputs, various types of linear input (optional)

Supports relay, pulse voltage, linear as an output for various control application.

Auto/Manual control mode optional

Duplex Output Mode (Heat/Cool) through 2 control processes.

Alarm Up to 3 alarm set.

C T for heater break alarm.

Programmable models have 1(Ramp, Soak) available inter-link pattern, each with 8 segments.

A non-volatile memory based on EEPROM ensures data integrity during loss of power supply.

Operates on any line voltage from 90VAC to 260VAC at 50/60Hz.

Optional RS-232 and RS-485 communication interface available.

Open loop motor valve control.

Remote set point.

Soft start.

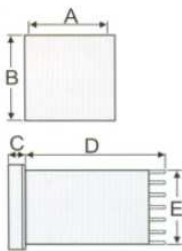
Transmission.

CE

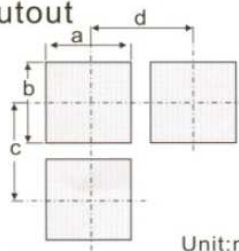
H-D96Q / H-D96H / H-D96W / H-D72 / H-D48 Series



Dimension



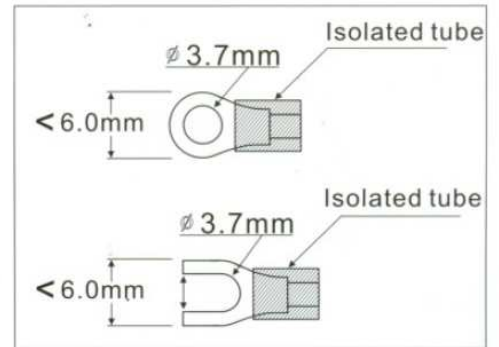
Panel cutout



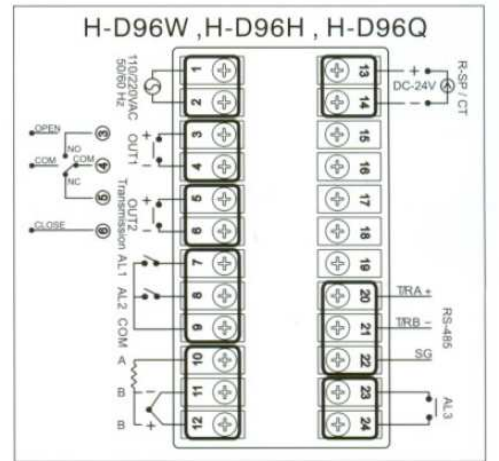
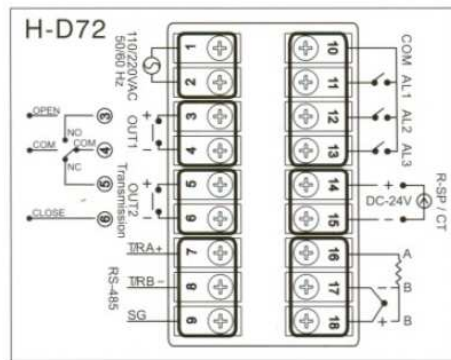
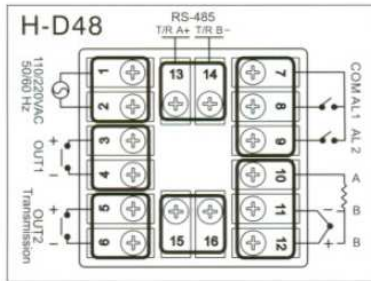
Unit:mm

MODEL	A	B	C	D	E	a	b	c	d
H-D96Q	96	96	10.5	83	90	91 ^{+0.5} ₋₀	91 ^{+0.5} ₋₀	120	120
H-D72	72	72	10.5	83	67	68 ^{+0.5} ₋₀	68 ^{+0.5} ₋₀	100	100
H-D96W	96	48	10.5	83	43	91 ^{+0.5} ₋₀	46 ^{+0.5} ₋₀	70	120
H-D96H	48	96	10.5	83	90	46 ^{+0.5} ₋₀	91 ^{+0.5} ₋₀	120	70
H-D48	48	48	10.5	83	45	46 ^{+0.5} ₋₀	46 ^{+0.5} ₋₀	70	70

Available terminal



EXTERNAL TERMINAL



SPECIFICATIONS

PV Input	Type of Input	TC (K, J, T, R, E, S, B, N)
		RTD (Pt100, JPt100)
		Linear (1-5V, 4-20mA)
	Input Sampling Time	300 ms
Indication	PV/SV Indication	4-digit
	Constant Value Storage System	Non-volatile memory (E ² PROM)
Control Mode	Proportional Band (P)	0.0~3000
	Integral Time (I)	0~3600
	Derivative Time (D)	0~900
	Cycle Time	0~150
	Dead Band	0.0~200.0
	Relay Output Relay	Contact, SPDT 3A/240VAC
Output	Voltage Output	Voltage Pulse
	Linear Output	4~20mA, 1-5V,
	Motor Control Output	Open loop motor valve
Alarm	Channel	3 Channels (Optional)
Communication	Type of Communication	RS-232, RS-485
General Specifications	Power Supply Voltage & Frequency	AC 90~260V, 50/60Hz
	Power Consumption	<3.5VA
	Ambient Temperature	-10°C ~ 55°C
	Ambient Humidity	0~80% RH

ORDERING INFORMATION

A	B	C	D	E	F	G	H
TYPE	INPUT	OUTPUT 1	OUTPUT 2	ALARM	ADDITION	COMMUNICATION	PROGRAM
D48 =48*48	1=K 7=B	0=NONE	0=NONE	0=NONE	0=NONE	0=NONE	0=NONE
D72 =72*72	2=J 8=N	1=RELAY	1=RELAY	1=ALARM*1	1=DC-24V	1=RS-485	1=PROGRAM
D96Q =96*96	3=T 9=DIN/PT	2=PULSED	2=PULSED	2=ALARM*2	2=REMOTE-SP	2=RS-232	
D96H =48*96	4=R A=J IN/ PT	3=4-20M	3=4-20MA	3=ALARM*3	3=CT		
D96W =96*48	5=E B=LINEAR	4=1-5V	4=1-5V				
	6=S	5=open loop motor valve	5=Transmission				

