

- Weld Field and Electrical Noise Immunity
- Standard Latching Short Circuit Protection (SCP), Non-Latching SCP Available for DC Models Only
- Predictable, Consistent Electrical Performance
- 100% Tested and Burned-in

These sensors are specifically designed for extreme duty use in harsh applications such as automotive fabrication and assembly plants. Our Extended Range sensors have been designed primarily for use as part present sensors for sheet metal operations, or other applications where target to sensor relationship cannot be guaranteed during operation. For the 25mm range unit, a special cover is available to protect the thermoset housing from damage caused by extreme weld expulsion.

Connector Type	Circuit Description	Housing Material	Housing Dimensions	Model No. (Unshielded)	Maximum Load Current	Leakage Current	Voltage Drop*	Maximum Switching Frequency	Short Circuit Protected
25mm SENSING RANGE DC 10-30V									
4-pin Euro	3W, PNP, NO	Thermoset	74x50x41mm	EE510-83441	200mA	10µA	2.0V @ 100mA	16Hz	Latching
4-pin Euro	3W, PNP, NO	Thermoset	74x50x41mm	EE510-83041	200mA	10µA	2.0V @ 100mA	16Hz	Non-Latching
4-pin Mini	3W, PNP, NO	Thermoset	74x50x41mm	EE510-83401	200mA	10µA	2.0V @ 100mA	16Hz	Latching
4-pin Mini	3W, PNP, NO	Thermoset	74x50x41mm	EE510-83001	200mA	10µA	2.0V @ 100mA	16Hz	Non-Latching
8' Cable	3W, PNP, NO	Thermoset	74x50x41mm	EE510-83411	200mA	10µA	2.0V @ 100mA	16Hz	Latching
8' Cable	3W, PNP, NO	Thermoset	74x50x41mm	EE510-83011	200mA	10µA	2.0V @ 100mA	16Hz	Non-Latching
25mm SENSING RANGE AC/DC 20-230V									
3-pin Micro	2W, NO, LL	Thermoset	74x50x41mm	EE530-83421	500mA	1.7mA	<10V	16Hz	Latching
3-pin Micro	2W, NO, HL	Thermoset	74x50x41mm	EE560-83421	500mA	4.5mA	<10V	16Hz	Latching
3-pin Mini	2W, NO, LL	Thermoset	74x50x41mm	EE530-83401	500mA	1.7mA	<10V	16Hz	Latching
3-pin Mini	2W, NO, HL	Thermoset	74x50x41mm	EE560-83401	500mA	4.5mA	<10V	16Hz	Latching
8' Cable	2W, NO, HL	Thermoset	74x50x41mm	EE560-83411	500mA	4.5mA	<10V	16Hz	Latching
50mm SENSING RANGE DC 10-30V									
4-pin Euro	3W, PNP, NO	Thermoplastic	117x101x50mm	EE510-84440	200mA	10µA	2.0V @ 100mA	16Hz	Latching
4-pin Euro	3W, PNP, NO	Thermoplastic	117x101x50mm	EE510-84040	200mA	10µA	2.0V @ 100mA	16Hz	Non-Latching
4-pin Mini	3W, PNP, NO	Thermoplastic	117x101x50mm	EE510-84400	200mA	10µA	2.0V @ 100mA	16Hz	Latching
4-pin Mini	3W, PNP, NO	Thermoplastic	117x101x50mm	EE510-84000	200mA	10µA	2.0V @ 100mA	16Hz	Non-Latching
8' Cable	3W, PNP, NO	Thermoplastic	117x101x50mm	EE510-84410	200mA	10µA	2.0V @ 100mA	16Hz	Latching
8' Cable	3W, PNP, NO	Thermoplastic	117x101x50mm	EE510-84010	200mA	10µA	2.0V @ 100mA	16Hz	Non-Latching
50mm SENSING RANGE AC/DC 20-230V									
3-pin Micro	2W, NO, LL	Thermoplastic	117x101x50mm	EE530-84420	500mA	1.7mA	<10V	16Hz	Latching
3-pin Micro	2W, NO, HL	Thermoplastic	117x101x50mm	EE560-84420	500mA	4.5mA	<10V	16Hz	Latching
3-pin Mini	2W, NO, LL	Thermoplastic	117x101x50mm	EE530-84400	500mA	1.7mA	<10V	16Hz	Latching
3-pin Mini	2W, NO, HL	Thermoplastic	117x101x50mm	EE560-84400	500mA	4.5mA	<10V	16Hz	Latching
8' Cable	2W, NO, HL	Thermoplastic	117x101x50mm	EE560-84410	500mA	4.5mA	<10V	16Hz	Latching

* Across conducting sensor

- ▶ "LL" indicates *Low Leakage* and "HL" indicates *High Leakage*.
- ▶ Consult factory for normally closed model availability.

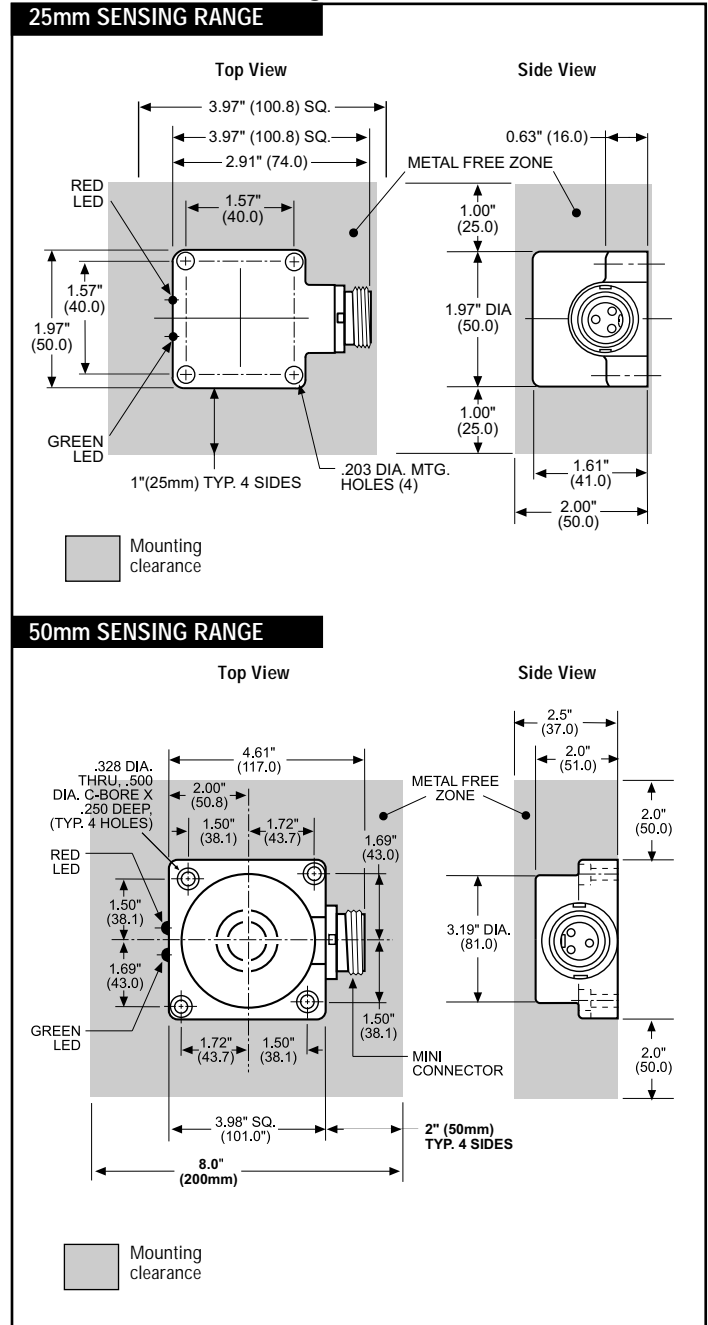


Common Sensor Characteristics

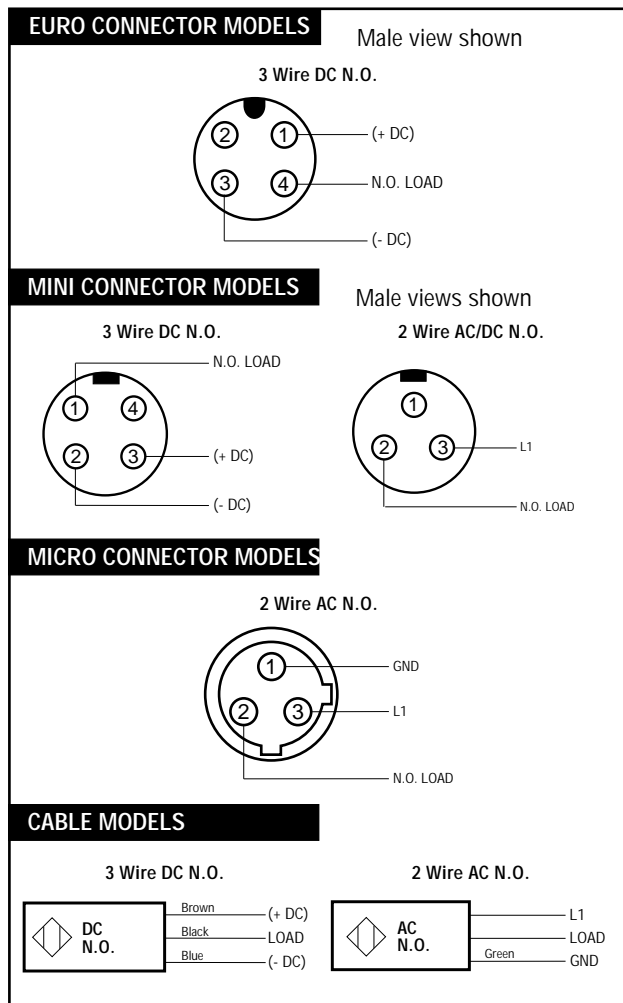
EXTENDED RANGE SENSORS		
	2W AC/DC	3W DC
Nominal Sensing Range ($\pm 10\%$)	25mm & 50mm	
Current Consumption	N/A	10mA
Short Circuit Protection	yes	
Reverse Polarity Protected	yes	
Temperature Drift (Max.)	$\pm 10\%$	
Ambient Temperature Range	25mm: -4°F to +158°F 50mm: -4°F to +122°F	
Cable Type	PVC	
Hysteresis	3-10%	
Repeatability	$< \pm 1\%$	
LED Indicator	red = power green = target	grn = power amber = target
Shipping Weight	25mm	50mm
Connector model:	10 oz.	2 lb.
Cable model:	15 oz.	2 lb. 5 oz.

* See Proximity Reference Information Section for details on mounting clearances for extended range sensors.

Dimensional Drawings



Circuit Drawings



Namco Controls Corporation
Mayfield Village, OH 44143
(440) 460-1360 • FAX (440) 460-3800 • namcocontrols.com

For technical assistance, call 1-800-NAMTECH