



HEAD MOUNTING TRANSMITTER

Mp82800

2-wire head mounting transmitter

Mp82800

- Microprocessor based
- RTD, T/C, mV and Ohm input
- Fully linearized
- RFI / EMI protected
- High accuracy (Typical 0.1%)
- ATEX and FM approval available
- Optional plug-in readout & head
- 5 Year warranty



Specifications

| | |
|---------------------------------|--|
| Input RTD | Pt100, Pt250, Pt500, Pt1000, Ni100, Ni500, Ni1000, Cu10, Cu100 |
| Input T/C | K,J,L,T,U,E,R,S,B,C,D,N |
| Other inputs | Ohm, mV |
| Minimum Span | See table below |
| Output | 4...20 mA or 20...4 mA |
| Linearization | On / Off |
| Supply | 10...40 VDC, Polarity Protected (ATEX certified units 10 – 30 VDC) |
| Supply Effect | 0.001%/V |
| Max. Ripple | 10 V PP. Min Vbat=10 VDC |
| Zero Drift | ± 0.01%/°C or ±0.02°C/°C |
| Span Drift | ± 0.005%/°C or ±0.01°C/°C |
| Long Term Drift | ± 0.05%/Year |
| Cold Junction Drift | ± 0.01°C/°C |
| Excitation Current, RTD | 0.1 mA |
| Sensor Lead Resistance, RTD | 500 Ohm max. |
| Sensor Lead Resistance Effect | 0.001°C/Ohm |
| Sensor Lead Resistance, T/C | 10,000 Ohm max. |
| Open Circuit Detection | Upscale / Downscale |
| Load Capability | Vbat-10V / 20 mA |
| Startup Time | 20 sec. |
| Warmup Time | 5 Min. |
| Ambient Operating Temp. | -40...+ 85°C |
| Ingress Protection | IP30 |
| Storage Temperature | -40...+100°C |
| Housing Material | Zinc Alloy (ZAMAK 5) epoxy coated |
| Housing Dimension | 43mm Dia. x 27mm H. (1.70" x 0.99") |
| Housing Dimension with Read-Out | 47mm Dia. x 36mm H. (1.85" x 1.42") |

Order information and options

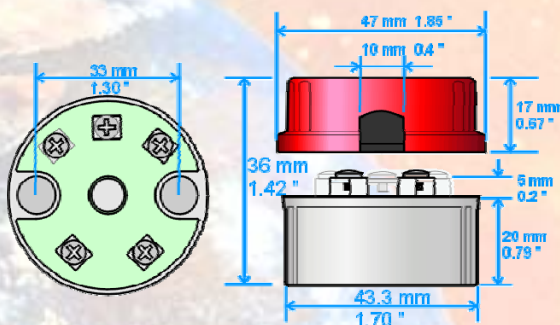
Example:

Model Mp82800 -D-EX-FM-CW-IF

Options:

- D = Plug-in Loop-powered Readout
- EX = Intrinsically safe version (ATEX Ex II 1 G EEx ia IIC T4...T6)
- FM = Intrinsically safe version (IS/I/1/ABCD/T6)
- CW = DAN type connection head with window
- IF = Interface and software

Dimensions



Red top is optional plug-in display
(part no. Mp82-Display)

Sensor ranges

| Sensor type | Temp. Min. °C | Temp. Max. °C | Span Min. °C |
|--------------------|---------------|---------------|--------------|
| K (NiCr-Ni) | -270 | 1370 | 50 |
| J (Fe-CuNi) | -200 | 1200 | 50 |
| L (DIN Fe-CuNi) | -200 | 900 | 50 |
| T (Cu-CuNi) | -270 | 400 | 50 |
| U (DIN Cu-CuNi) | -200 | 600 | 50 |
| E (NiCr-CuNi) | -270 | 1000 | 50 |
| S (Pt10%Rh-Pt) | -60 | 1760 | 250 |
| R (Pt13%Rh-Pt) | -60 | 1760 | 250 |
| B (Pt30%Rh-Pt6%Rh) | 0 | 1820 | 600 |
| Pt100 IEC751 | -200 | 850 | 25 |
| Pt250 IEC751 | -200 | 850 | 25 |
| Pt500 IEC751 | -200 | 850 | 25 |
| Pt1000 IEC751 | -200 | 850 | 25 |
| Ni100 IEC751 | -60 | 250 | 25 |
| Ni500 IEC751 | -60 | 250 | 25 |
| Ni1000 IEC751 | -60 | 250 | 25 |
| Cu10 | -200 | 250 | 25 |
| Cu100 | -200 | 250 | 25 |
| C (W5%Re-W26%Re) | 0 | 2300 | 150 |
| D (W3%Re-W25%Re) | 0 | 2300 | 150 |
| N (NiCrSi-NiSiMg) | -270 | 1300 | 50 |
| mV | 0 | 1000 | 10 |
| Ohm | 0 | 9999 | 100 |



S-Products

www.s-products.com