



## HEAD MOUNTING TRANSMITTER

## Mp82800-R

### 2-wire head mounting transmitter

### Mp82800-R

- Microprocessor based
- RTD (Pt100 3-wire) input
- Fully linearized
- RFI / EMI protected
- High accuracy (Typical 0.2%)
- ATEX and FM approval available
- Optional plug-in readout & head
- 5 Year warranty



## Specifications

Input RTD	Pt100 3-wire
Minimum Span	25°C
Output	4...20 mA or 20...4 mA
Linearization	On / Off
Supply	10...40 VDC, Polarity Protected (ATEX certified units 10 – 30 VDC)
Supply Effect	0.02%/V
Max. Ripple	10 V PP. Min Vbat=10 VDC
Zero Drift	± 0.02%/°C or ±0.02°C/°C
Span Drift	± 0.01%/°C or ±0.01°C/°C
Long Term Drift	± 0.1%/Year
Cold Junction Drift	± 0.01°C/°C
Excitation Current, RTD	0.1 mA
Sensor Lead Resistance, RTD	500 Ohm max.
Sensor Lead Resistance Effect	0.01°C/Ohm
Open Circuit Detection	Upscale / Downscale
Load Capability	Vbat-10V / 20 mA
Startup Time	20 sec.
Warmup Time	5 Min.
Ambient Operating Temp.	-40...+ 85°C
Ingress Protection	IP30
Storage Temperature	-40...+100°C
Housing Material	Zinc Alloy (ZAMAK 5) epoxy coated
Housing Dimension	43mm Dia. x 27mm H. (1.70" x 0.99")
Housing Dimension with Read-Out	47mm Dia. x 36mm H. (1.85" x 1.42")

## Order information and options

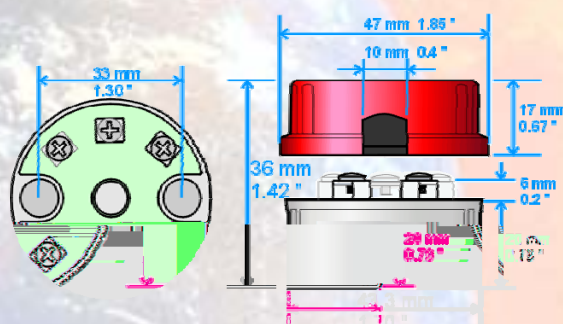
### Example:

Model Mp82800-R -D-EX-FM-CW-IF

Options:

- D = Plug-in Loop-powered Readout
- EX = Intrinsically safe version (ATEX Ex II 1 G EEx ia IIC T4...T6)
- FM = Intrinsically safe version (IS/I/1/ABCD/T6)
- CW = DAN type connection head with window
- IF = Interface and software

## Dimensions



Red top is optional plug-in display  
(part no. Mp82-Display)

## Sensor ranges

Sensor type	Temp. Min. °C	Temp. Max. °C	Span Min. °C
Pt100 IEC751	-200	850	25



# S-Products

[www.s-products.com](http://www.s-products.com)