



## HEAD MOUNTING TRANSMITTER

## ALM46

### 2-wire head mounting transmitter

#### ALM46

- Analogue transmitter
- Fixed range
- High accuracy (Typical 0.2%)
- Rugged epoxy coated housing
- Temperature linear output (Pt100 version)
- Fine adjustment with potentiometers
- 5 Year warranty



### Specifications

Power supply	14 – 40 VDC
Polarity protected	Yes
Power supply effect	0.002%/V
Output	4 – 20 mA
Load capability	(V[bat] – 14 V) / 20 mA
Sensor burn out	Upscale (max. 35 mA)
Zero drift	± 0.030%/°C
Span drift	± 0.015%/°C
Span adjustment	+100% of min. span
Ingress Protection	IP30
Ambient Operating Temp.	-10...+70°C
Storage Temperature	-40...+100°C
Housing Material	Zinc Alloy (ZAMAK 5) epoxy coated
Housing Dimension Dia. x H	43 mm x 29 mm (1.70" x 1.14")
<b>Pt100</b>	
Range	-25 to +800°C (4 fixed range models)
Minimum span	50°C
Zero adjustment Pt100	-25 to +25°C
Linearization	0.15%
Sensor lead effect	0.05°C/Ohm
Max. sensor line resistance	100 Ohm
<b>Thermocouple</b>	
Range T/C K	0 to 1200°C (3 fixed range models)
Range T/C J	0 to 900°C (3 fixed range models)
Range T/C T	0 to 400°C (2 fixed range models)
Minimum span	150°C
Zero adjustment T/C	-25 to +25°C
Cold junction drift	0.05°C/°C
Max. sensor line resistance	5,000 Ohm
<b>mV</b>	
Range	0 to 160 mV (4 fixed range models)
Minimum span	10 mV

## Order information

### Specify model:

ALM46-R-\*            Input Pt100  
 ALM46-T-K-\*        Input T/C K  
 ALM46-T-J-\*        Input T/C J  
 ALM46-T-T-\*        Input T/C T  
 ALM46-mV-\*        Input mV

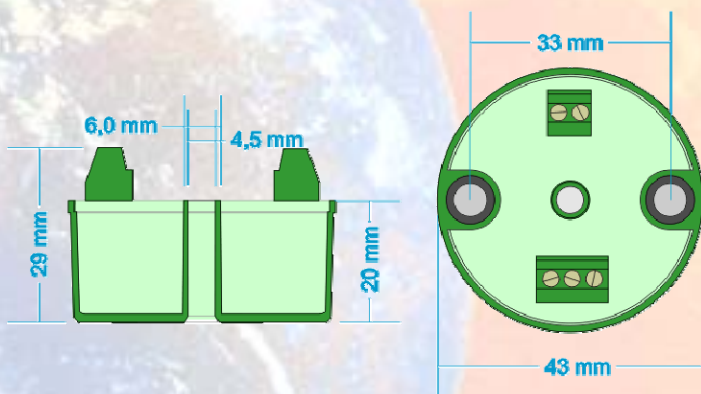
\* Specify desired span (see table)

### Example:

ALM46-T-K-3

Span	Pt100	T/C K	T/C J	T/C T	mV
1	50...100°C	150...300°C	150...300°C	150...300°C	10...20
2	100...200°C	300...600°C	300...600°C	300...400°C	20...40
3	200...400°C	600...1200°C	600...900°C		40...80
4	400...800°C				80...160

## Dimensions



## Sensor ranges

Sensor type	Temp. Min. °C	Temp. Max. °C	Span Min. °C
Pt100 IEC751	-25	800	50
K (NiCr-Ni)	0	1200	150
J (Fe-CuNi)	0	900	150
T (Cu-CuNi)	0	400	150

Sensor type	mV Min.	mV Max.	mV Span Min.
mV	0	160	10



# S-Products

[www.s-products.com](http://www.s-products.com)