



2-wire head mounting transmitter

R/T82000

- Analogue transmitter
- Pt100 (RTD) or T/C input
- Free scalable
- High accuracy (Typical 0.1%)
- Fast response time
- Rugged epoxy coated housing
- 5 Year warranty



Specifications

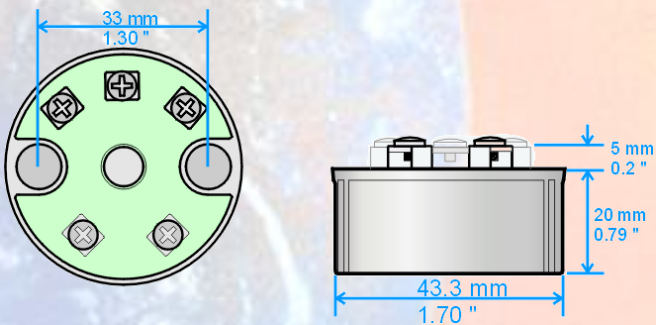
V _{nom}	24 VDC
T _{amb}	25°C
Span nom.	RTD = 100°C T/C = 250°C
General specifications	
Output	4 – 20 mA
Power supply	12 – 36 VDC
Zero drift	± 0.02%/°C
Span drift	± 0.02%/°C
Supply voltage effect	± 0.002%/V
Sensor burn out	Upscale > 23mA, limited 40 mA
Load capability	(V[bat] – 12 V) / 20mA
Ambient Operating Temp.	-20...+70°C
Storage Temperature	-20...+100°C
Ingress Protection	IP30
Housing Material	Zinc Alloy (ZAMAK 5) epoxy coated
Housing Dimension Dia. x H	43 mm x 27 mm (1.70" x 1.06")
Pt100 (alpha = 0.00385)	Model R82000
Zero adjustment	Between -50 and +50°C
Span adjustment	50 to +800°C
Sensor lead resistance effect	0.01°C/Ohm
Max. sensor line resistance	500 Ohm
Linearization	0.1%
Thermocouple	Model T82000
Zero adjustment	Between -50 and +50°C
Span adjustment	T/C K: 150 to 1200°C T/C J: 150 to 600°C
Cold junction drift	0.05°C/°C
Max. sensor line resistance	10,000 Ohm
Output	Voltage linear

Order information

Specify model:

R82000 Input Pt100
T82000-K Input T/C K
T82000-J Input T/C J

Dimensions



Sensor ranges

Sensor type	Temp. Min. °C	Temp. Max. °C	Span Min. °C	Span Max. °C
Pt100 IEC751	-50	850	50	800
K (NiCr-Ni)	-50	1200	150	1200
J (Fe-CuNi)	-50	600	150	600



S-Products

www.s-products.com