

SERIES ISD37

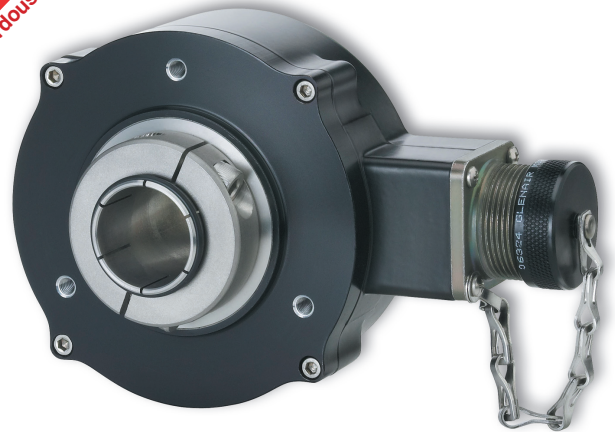
NorthStar™ brand

Hazardous Duty Encoder

Key Features

- Unbreakable Code Disc up to 5000 PPR
- ATEX and CSA Certified for Hazardous Duty Applications
- Dual Isolated Outputs Available for Redundancy
- Anodized Aluminum, Stainless Steel, or Nickel Plated Housing
- IP67 Sealing

HAZ
Hazardous Duty



SPECIFICATIONS

STANDARD OPERATING CHARACTERISTICS

Code: Incremental, Optical

Resolution: Up to 5000 PPR (pulses/revolution)

See Ordering Information

Format: Two channel quadrature (AB) with optional Index (Z), and complementary outputs

Phase Sense: A leads B for CCW shaft rotation viewing the shaft clamp end of the encoder

Quadrature Phasing:

For resolutions 200 to 300 PPR and 1200 PPR and above: 90° ±30° electrical; all other resolutions: 90° ±15°

Symmetry:

For resolutions 200-300 PPR and above 1024 PPR: 180° ±25° electrical; all other resolutions: 180° ±18°

Index: 150° to 330°, A leads B, CCW (From Clamp End)

Waveforms: Squarewave with rise and fall times less than 1 microsecond into a load capacitance of 1000 pf

ELECTRICAL

Input Power: 5VDC, 7-26 VDC

Outputs:

7272 Push-Pull: 40mA, sink or source

7272 Differential Line Driver: 40 mA, sink or source

7273 Open Collector: 40mA, sink max

Frequency Response: 125 kHz (data & index)

Noise Immunity: Tested to EN61326-1

Electrical Immunity: Reverse polarity and short circuit protected

Termination: MS Connector; M12 Connector; M23 Connector; cable exit w/seal.

Mating Connector:

6 Pin MS, Style MS3106A-14S-6S (MCN-N4)

7 Pin MS, Style MS3106A-16S-1S (MCN-N5)

10 Pin MS, Style MS3106A-18-1S (MCN-N6)

10 Pin Bayonet, Style MS3116-F12-10S (MCN-B1)

10 Pin, NEMA4 Style (MCN-N6N4)

12 Pin CW M23 Connector (MCN-C1)

Cable w/ 5 pin M12 Connector (112859-XXXX)

Cable w/ 8 pin M12 Connector (112860-XXXX)

Note: "MS" type mating connectors and pre-built cables are rated NEMA 12. "M12" Cable assemblies are rated IP67

MECHANICAL

Bore Diameter: 1.00", 0.875, 0.750", 0.625", 0.500", 16mm, 15mm, 12mm. Insulated inserts provided for bores under 1 inch (1" bore not electrically isolated for stainless shaft option)

Mounting Configuration: Hollow Bore, direct mount over shaft with multiple tether options available

Bore Runout: ±0.0005 TIR at midpoint

Shaft Speed: 6000 RPM max.

Min. Shaft Engagement: 1.60" (Recommended)

Starting Torque: 4.5 in-oz. maximum (at ambient)

Running Torque: 4.0 in-oz. maximum (at ambient)

Bearings: 61806-ZZ

Housing and Cover: Hard Anodized Aluminum. Also available in Stainless Steel.

Shaft Material: Stainless Steel (Anodized 6061 aluminum for 1" isolated bore option)

Disc Material: Mylar

Weight: 35 ounces, typical

ENVIRONMENTAL

Operating Temperature: -40 to 80°C

Storage Temperature: -40 to 100°C

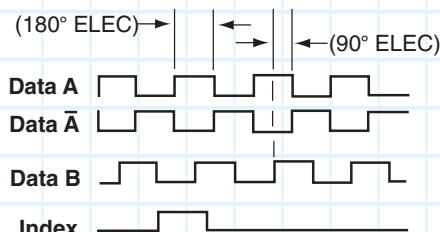
Shock: 400g for 6msec duration

Vibration: 5 to 3000Hz @ 20g

Humidity: Up to 98% (non-condensing)

Enclosure Rating: IP67

DATA AND INDEX Not all complements shown A shown for reference



Index Width: 150° to 330°
A leads B, CCW (From Clamp End)

Ordering Information

To order, complete the model number with code numbers from the table below:

Code 1: Model	Code 2: PPR	Code 3: Shaft	Code 4: Output Format	Code 5: Termination	Code 6: Options	Code 7: Special Option
ISD37	<input type="checkbox"/> <input type="checkbox"/> <input type="checkbox"/> <input type="checkbox"/>	<input type="checkbox"/>	<input type="checkbox"/>	<input type="checkbox"/>	<input type="checkbox"/>	<input type="checkbox"/> <input type="checkbox"/>

Ordering Information

ISD37 Hazardous Duty Encoder	0015	Electrically isolated: 0 6mm 1 1/4" 2 5/16" 3 8mm 4 3/8" 5 10mm 6 12mm 7 1/2" 8 5/8" 9 15mm A 16mm C 19mm D 3/4" E 20mm F 7/8" G 24mm R 1"	A Single Ended ABZ, 7-26V in, 7-26V out push-pull (7272)	0 6 pin connector	0 No Options 1 Slotted Tether 2 Single Point 4.5" C-Face Tether 3 Single Point 8.5" C-Face Tether 4 Dual Isolated Outputs, No Tether 5 Dual Isolated Outputs, Slotted Tether 6 Dual Isolated Outputs, 4.5" C-Face Tether 7 Dual Isolated Outputs, 8.5" C-Face Tether A Swivel Rod Tether C Metric Swivel Rod Tether D Dual Isolated Outputs, Swivel Rod Tether E Dual Isolated Outputs, Metric Swivel Rod Tether	Blank None 01 Nickel Plated 02 Stainless Steel
	0032 0050 0060 0100 0200 0240 0250 0500 0512 0600 1000 1024 1200 2000 2048 3072 4000 4096 5000		C Single Ended ABZ, 5V in, 5V out push-pull (7272) D Single Ended ABZ, 7-26V in, 5V out push-pull (7272) E Single Ended ABZ, 7-26V in, 7-26V out Open Collector (2222) F Single Ended ABZ, 7-26V in, 7-26V out Open Collector with 1kOhm (2222)	1 7 pin connector 2 10 pin connector 3 12 pin connector 4 10 pin Bayonet connector 5 6 pin+mating connector 6 7 pin+mating connector 7 10 pin+mating connector 8 12 pin+mating connector 9 10 pin Bayonet+mating connector A .5m (20") cable C 1m (39") cable D 2m (79") cable H 5 pin M12 connector J 8 pin M12 connector K 1.5 ft (18") cable w/ in line 10pin connector M 5 ft (60") cable N 10 ft (120") cable P 1.5 ft (18") Cable with 10-pin Bulkhead Connector <i>Available when Code 6 is 0, 1, 2, 3, A, C</i> T Terminal box w/conduit entry		
		Not electrically isolated: H 1" Non Isolated P 25mm Non Isolated	<i>Options G, H & J not available when Code 5 is H</i> G Differential AB only, 5V in, 5V out (7272) H Differential AB only, 7-26 in, 7-26 out (7272) J Differential AB only, 7-26 in, 5V out (7272)			
			<i>Options K, L, M not available when Code 5 is 0, 1, 5, 6, H</i> K Differential ABZ, 5V in, 5V out (7272) L Differential ABZ, 7-26 in, 7-26 out (7272) M Differential ABZ, 7-26 in, 5V out (7272)			

Cable Assemblies with MS Connector*

108594-XXXX	6 Pin MS, Cable Assy. For Use with Single Ended Outputs
108595-XXXX	7 Pin MS, Cable Assy. For Use with Single Ended Outputs
108596-XXXX	7 Pin MS, Cable Assy. For Use with Differential Line Driver w/o Index Outputs
114448-XXXX	10 Pin Bayonet, Cable Assy. For Use with Differential Line Driver with Index Outputs
1400635XXXX	10 Pin MS, Cable Assy. For Use with Differential Line Driver with Index Outputs
109209-XXXX	NEMA4 10 pin MS, Cable Assy. For use with differential line driver with index outputs

Cable Assemblies with M23 Connector*

115901-XXXX	12 pin M23, Cable Assy. For Use with Differential Line Driver with Index Outputs, CW
--------------------	--

Cable Assemblies with M12 Connector*

112859-XXXX	5 Pin M12, Cable Assy. For Use with Single Ended Outputs
112860-XXXX	8 Pin M12, Cable Assy. For Use with Single Ended Outputs
112860-XXXX	8 Pin M12, Cable Assy. For Use with Differential Line Driver Outputs

*Note: Standard cable length is 10 feet but may be ordered in any length in 5 foot increments.
For example, for a 20 foot cable, replace XXXX with -0020.

Mating Connectors (no cable)

MCN-N4	6 pin, style MS3106A-14S-6S
MCN-N5	7 pin, style MS3106A-16S-1S
MCN-N6	10 pin, style MS3106A-18-1S
MCN-N6N4	10 pin, NEMA4 style
MCN-B1	10 Pin Bayonet, style MS3116-F12-10S
MCN-C1	12 Pin CW M23 Connector

Accessories

114573-0001	Tether Kit, 4.5" C-Face Single Point with 3/8" Bolt
114574-0001	Tether Kit for Standard AC Motor Fan Covers with T-Bolt
114575-0001	Tether Kit, 8.5" C-Face Single Point with 1/2" Bolt

The following Cover Kits are not compatible when Code 5 is T

114591-0001	Cover Kit, 56 C-Face
114592-0001	Cover Kit, Fan Cover
114593-0001	Dual Cover Kit, 56 C-Face
114594-0001	Dual Cover Kit, Fan Cover

SERIES ISD37



ELECTRICAL CONNECTIONS

6, 7 & 10 Pin MS & M23 Connectors and Cables

Connector & mate/accessory cable assembly pin numbers and wire color information is provided here for reference. Models with direct cable exit carry the color coding as shown in the right hand column.

Encoder Function	Cable # 108594-XXXX 6 Pin Single Ended		Cable # 108595-XXXX 7 Pin Single Ended		Cable # 108596-XXXX 7 Pin Dif Line Driver With Out Index		**Cable # 109209-XXXX or 1400635XXXX 10 Pin Dif Line Driver w/ Index		Cable # 114448-XXXX 10 Pin Bayonet		Cable #115901-XXXX 12 Pin (CW)		Cable Exit with Seal
	Pin	Wire Color	Pin	Wire Color	Pin	Wire Color	Pin	Wire Color	Pin	Wire Color	Pin	Wire Color	Wire Color
Sig. A	E	BRN	A	BRN	A	BRN	A	BRN	A	BRN	5	BRN	GRN
Sig. B	D	ORG	B	ORG	B	ORG	B	ORG	B	ORG	8	ORN	BLU
Sig. Z*	C	YEL	C	YEL	—	—	C	YEL	C	YEL	3	YEL	ORG
Power +V	B	RED	D	RED	D	RED	D	RED	D	RED	12	RED	RED
Com	A	BLK	F	BLK	F	BLK	F	BLK	F	BLK	10	BLK	BLK
Case	—	—	G	GRN	G	GRN	G	GRN	G	GRN	9	—	WHT
N/C-SLD	F	—	E	—	—	—	E	—	E	—	7	—	—
Sig. \bar{A}	—	—	—	—	C	BRN/WHT	H	BRN/WHT	H	BRN/WHT	6	BRN/WHT	VIO
Sig. \bar{B}	—	—	—	—	E	ORG/WHT	I	ORG/WHT	I	ORG/WHT	1	ORN/WHT	BRN
Sig. \bar{Z}^*	—	—	—	—	—	—	J	YEL/WHT	J	YEL/WHT	4	YEL/WHT	YEL

5 & 8 Pin M12 Accessory Cables when Code 5 = H or J

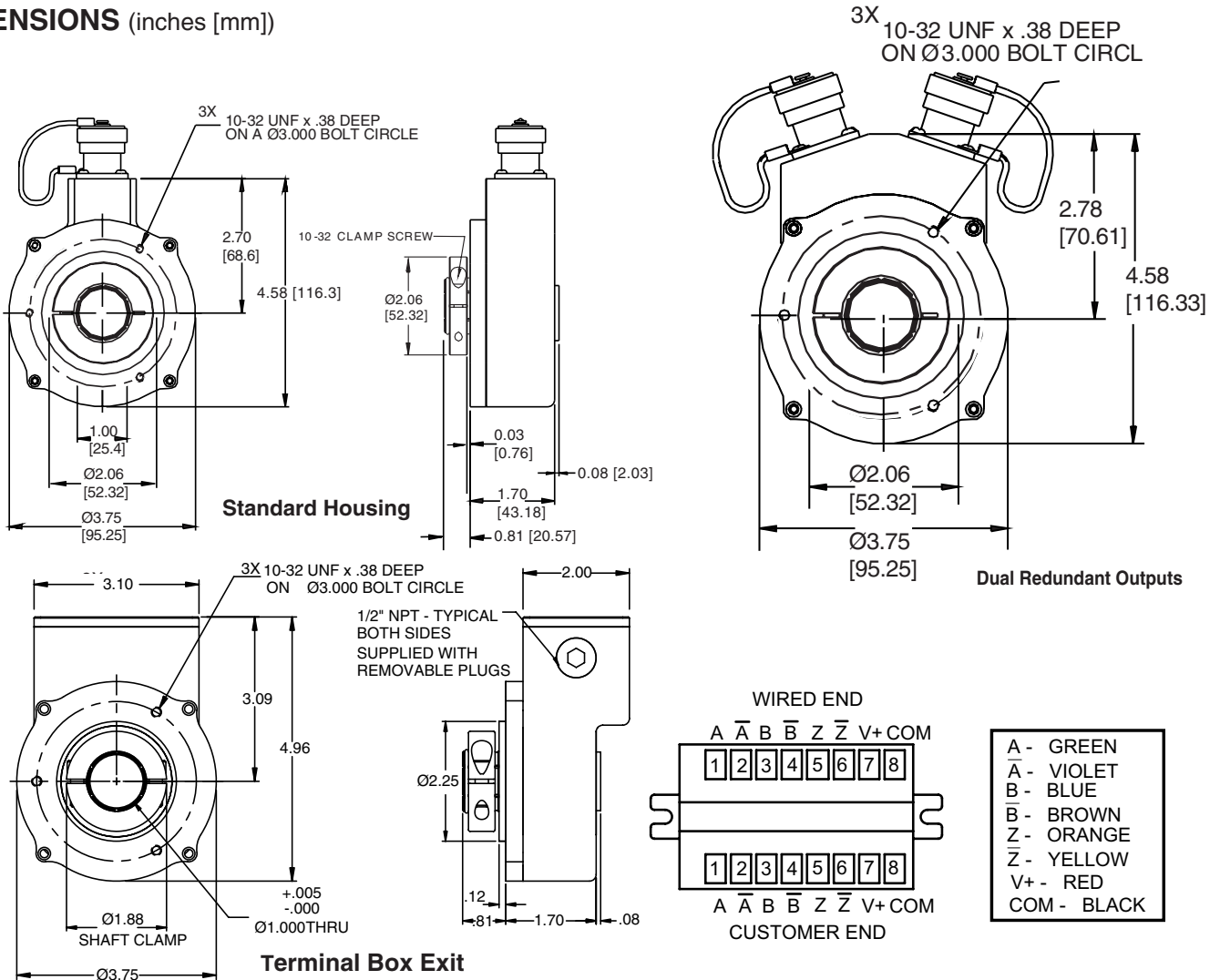
Connector pin numbers and cable assembly wire color information is provided here for reference.

Encoder Function	Cable # 112859-XXXX 5 Pin Single Ended		Cable # 112860-XXXX 8 Pin Single Ended		Cable # 112860-XXXX 8 Pin Differential	
	Pin	Wire Color	Pin	Wire Color	Pin	Wire Color
Sig. A	4	BLK	1	BRN	1	BRN
Sig. B	2	WHT	4	ORG	4	ORG
Sig. Z*	5	GRY	6	YEL	6	YEL
Power +V	1	BRN	2	RED	2	RED
Com	3	BLU	7	BLK	7	BLK
Sig. \bar{A}	—	—	—	—	3	BRN/WHT
Sig. \bar{B}	—	—	—	—	5	ORG/WHT
Sig. \bar{Z}^*	—	—	—	—	8	YEL/WHT

NOTES:

- 1) Cable Configuration (Table 1): PVC jacket, 105 °C rated, overall foil shield; 3 twisted pairs 24 AWG (output signals), plus 2 twisted pairs 22 AWG (input power)
- 2) Cable Configuration (Table 2): PVC jacket, 105°C rated, overall foil shield; 24 AWG conductors, minimum
- 3) Standard cable length is 10 feet but may be ordered in any length in 5 foot increments. For example, for a 20 foot cable, replace -XXXX with -0020
- 4) *Index not provided on all models. See ordering information.
- 5) **For watertight applications, use NEMA4 10 pin cable & connector 109209-XXXX.
- 6) "MS" Type mating connectors and pre-build cables are rated NEMA 12
- 7) "M12" Cable assemblies are rated IP67

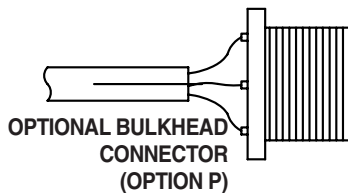
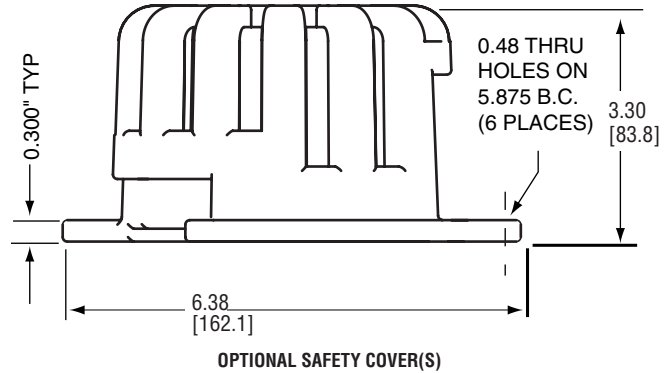
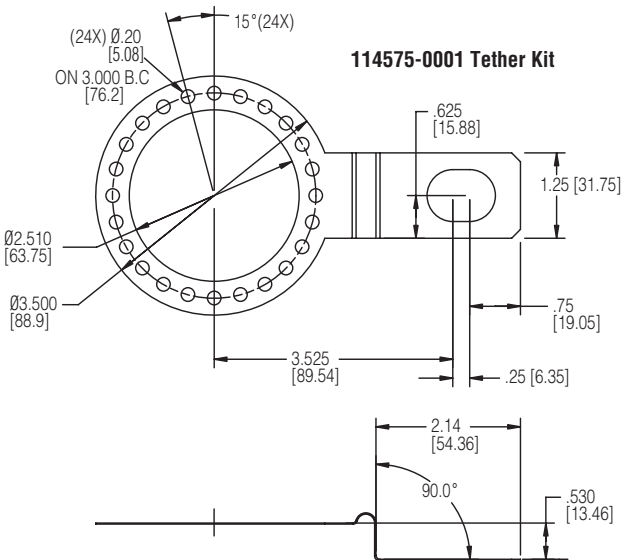
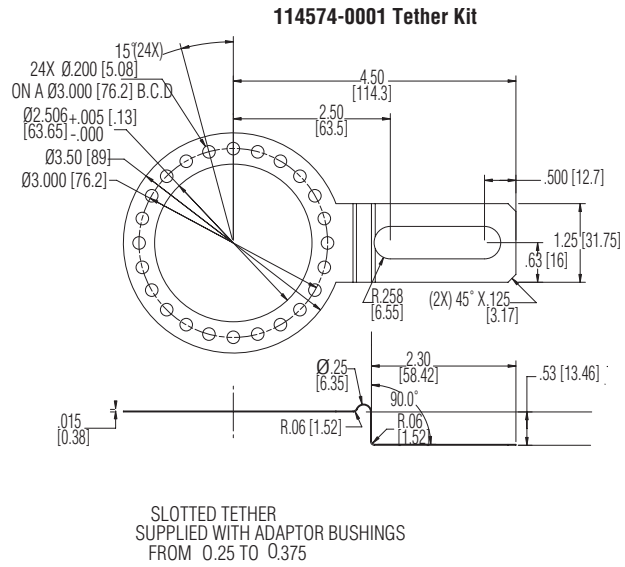
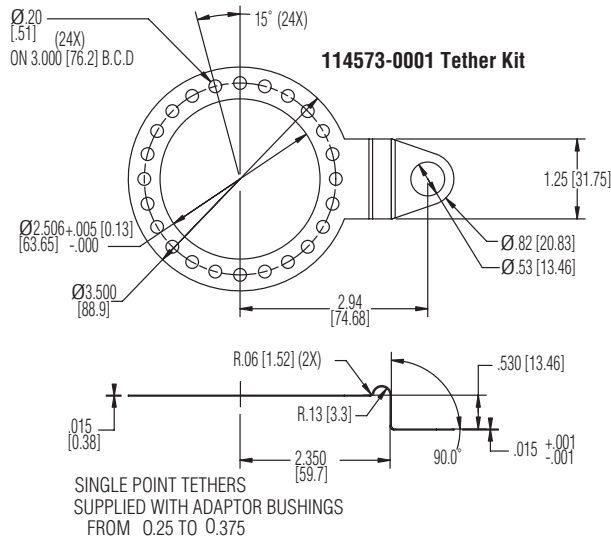
DIMENSIONS (inches [mm])



SERIES ISD37



DIMENSIONS (inches [mm])



WWW.DYNAPAR.COM

Headquarters: 1675 Delany Road • Gurnee, IL 60031-1282 • USA

Worldwide Brands: NorthStar™ • Dynapar™ • Hengstler™ • Harowe™

Customer Service:
Tel.: +1.800.873.8731
Fax: +1.847.662.4150
custserv@dynapar.com

Technical Support
Tel.: +1.800.234.8731
Fax: +1.847.662.4150
northstar.techsupport@dynapar.com

European Sales Representative
Hengstler GmbH
Umlandstrasse 49, 78554 Aldingen
Germany
www.hengstler.com