

# SERIES F18

# Dynapar™ brand

## For Stepper & Small Servo Motors

### Key Features

- Under 2.0" Diameter Package with High 4,096 PPR Capability
- Easy to Install Hollowshaft and Spring Tether Design
- Up to 120°C Temperature Range Doesn't Limit Motor Performance



Product shown with optional spring tether



## SPECIFICATIONS

### STANDARD OPERATING CHARACTERISTICS

**Code:** Incremental with commutation option, Optical  
**Resolution:** 500 - 4096 PPR incremental with 4, 6, 8 or 12 pole commutation channels.

**Accuracy:** Incremental:  $\pm 2.5$  arc-mins. max.  
 edge to any edge; Commutation:  $\pm 6$  arc-mins. max.

**Phasing for CCW rotation of motor shaft** (viewing encoder cover): A leads B by  $90^\circ$  and U leads V leads W by  $120^\circ$ .

**Minimum edge separation** A to B is  $45^\circ$ .

**Index to U channel:**  $\pm 1^\circ$  mech. index pulse center to U channel edge.

**Index Pulse Width:**  $90^\circ$  gated A and B high; ( $180^\circ$  gated B high gating options available - consult factory)

### ELECTRICAL

**Input Power Requirements:**  $5 \pm 10\%$  VDC at 150 mA max (incremental only); 175 mA max. (incremental and commutation), excluding output load

### Output Signals:

**Incremental:** 26LC31 Differential Line Driver, sink / source 40 mA max.

**Commutation:** Open Collector Commutation 30 mA sink max. (2.0 k $\Omega$  pull-ups in encoder)

### Frequency Response:

PPR  $\leq 2048$ : 250 kHz; PPR  $> 2048$ : 500 kHz

**Termination:** 16 pin, fully shielded, 2mm pitch, double row header. Accessory mating cable assembly available: 26 AWG twisted pair, jacketed and shielded with copper drain wire

### MECHANICAL

**Bore Diameters:** 1/4", 3/8", 7/16", 1/2", 6mm, 8mm, 10mm, 12mm standard

**Bore Dia. Tolerance:**  $+0.001"/-0.000"$  ( $+0.025$  mm/ $-0.000$  mm)

**Dimensions:** Outside Diameter with cover: 1.96" (49.8mm), without cover 1.85" (47.0mm); Outside collar height 1.71" (43.4mm), inside collar height 1.50" (38.1mm)

**Mating Shaft Length:** 1.62" (41 mm) minimum for outside shaft collar. 0.50 inch minimum for inside shaft collar

**Mating Shaft Runout:** 0.002" (0.05 mm) max. (Includes shaft perpendicularity to mounting surface)

**Mating Shaft Axial movement:**  $\pm 0.060"$  ( $\pm 1.52$  mm)

**Mounting Configuration:** Four standard configurations are available for tethers. A choice of U.S. and Metric screws are included. Mounting holes should be 0.01" (0.254 mm) true position to shaft for best encoder operation.

**Shaft clamp:** 2 #6-32 set screws in collar around hub shaft (will not mar shaft)

**Electrical/Mechanical Alignment Range:**  $\pm 15^\circ$  mechanical typical (see tether options)

**Acceleration:** 100,000 rad/sec.<sup>2</sup> max.

**Max. Velocity:** RPM = (Frequency / PPR)  $\times$  60; or 12,000 RPM, whichever is less

**Moment of Inertia:**  $5.3 \times 10^{-4}$  in-oz sec.<sup>2</sup> (37.3 gm-cm<sup>2</sup>)

**Housing & Cover Material:** Bearing housing: aluminum; Cover: high temperature, glass filled polymer;

Hub: Brass; Disk: 0.030" thick glass; Cover Finish: RAL 7010 (dark grey)

**Weight:** 4 oz. (110 gm) typ.

### ENVIRONMENTAL

**Operating Temperature:**  $0^\circ$  to  $+120^\circ$ C

**Storage Temperature:**  $-40^\circ$  to  $+120^\circ$ C

**Shock:** 100 Gs for 6 msec duration

**Vibration:** 2.5 Gs at 5 to 2000 Hz

**Humidity:** 90% (non-condensing)

**Enclosure Rating:** NEMA 1 / IP40 (for models with cover)



[WWW.DYNAPAR.COM](http://WWW.DYNAPAR.COM)

Headquarters: 1675 Delany Road • Gurnee, IL 60031-1282 • USA

Worldwide Brands: NorthStar™ • Dynapar™ • Hengstler™ • Harowe™

### Customer Service:

Tel.: +1.800.873.8731

Fax: +1.847.662.4150

custserv@dynapar.com

### Technical Support

Tel.: +1.800.234.8731

Fax: +1.847.662.4150

northstar.techsupport@dynapar.com

### European Sales Representative

Hengstler GmbH

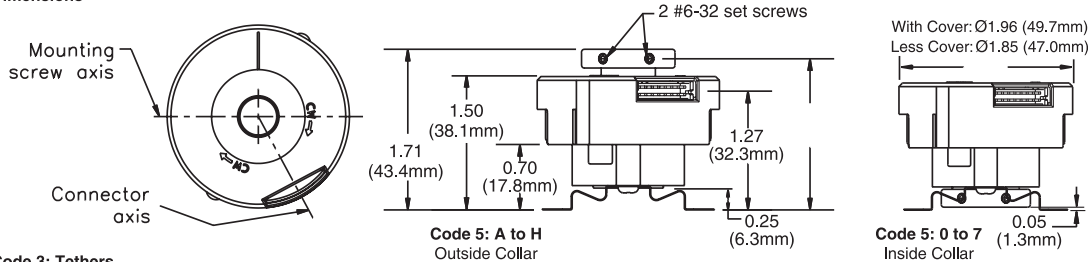
Umlandstrasse 49, 78554 Aldingen

Germany

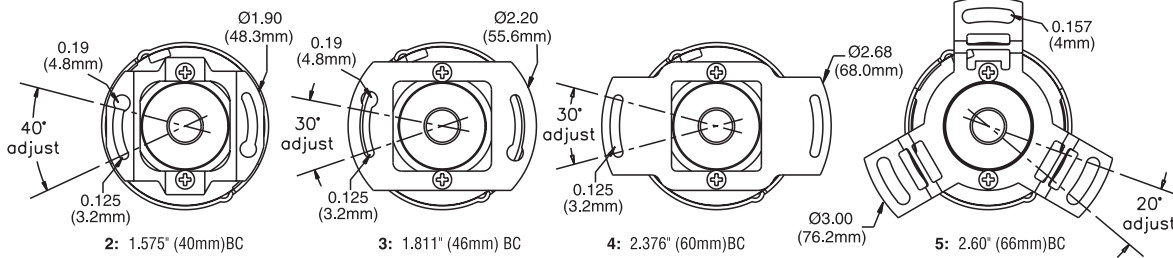
[www.hengstler.com](http://www.hengstler.com)

Dynapar™ brand is a trademark of DYNAPAR. All rights reserved.  
 Specifications subject to change without notice.  
 Document No. 702368-0002, Rev. C ©2016 Dynapar

Dimensions



Code 3: Tethers



Electrical Connections

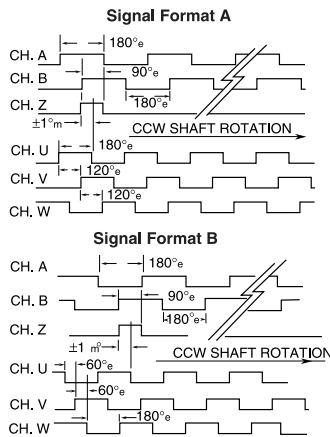
Pin	Function*	Cable Wire Color
1	VCC	RED
2	U	Brown
3	GND	BLACK
4	V	GRAY
5	A	BLUE
6	W	WHITE
7	Ā	BLUE/BLACK
8	NONE	NONE
9	B	GREEN
10	Ū	BROWN/BLACK
11	B	GREEN/BLACK
12	V	GRAY/BLACK
13	Z	VIOLET
14	W	WHITE/BLACK
15	Z̄	VIOLET/BLACK
16	NONE	NONE

\* Function availability dependant on Model

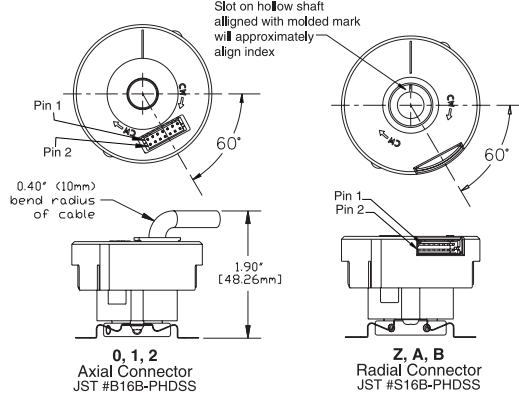
Mating Cable Assembly:

Incremental only, 111752-000x  
Incremental + Comm., 111753-000x  
x= length in feet

Output Waveforms



Code 6: Termination



Ordering Information

To order, complete the model number with code numbers from the table below:

Code 1: Model	Code 2: PPR, Poles	Code 3: Tether	Code 4: Electrical	Code 5: Bore	Code 6: Termination
<b>F18</b>	□□□□/□	□	□	□	□

Ordering Information

F18	Size 18 Commutating Encoder	Incremental channels only		0 No Tether 2 2 #2 on 1.575" Diameter 3 2 #4 on 1.811" Diameter 4 2 #4 on 2.376" Diameter 5 3 #4 on 2.60" Diameter 7 2 M2.5 on 40 mm Diameter 8 2 M3 on 46 mm Diameter 9 2 M3 on 60 mm Diameter A 3 M3 on 66 mm Diameter	Available when Code 2 is ≤ 2048/0 0 5V in, open collector out incremental only C 5V in, open collector out incremental only - reverse phase Available when Code 2 is XXXX/0 3 5V in, line driver out incremental only D 5V in, line driver out incremental only - reverse phase Available when Code 2 is XXXX/4, XXXX/6, XXXX/8 or XXXX/C 6 5V in, line driver out for incremental; 5V in, open collector out for commutation E 5V in, line driver out for incremental; 5V in, open collector out for commutation - reverse phase 9 5V in, line driver out for incremental; 5V in, line driver out for commutation F 5V in, line driver out for incremental; 5V in, line driver out for commutation - reverse phase	Inside Collar: 0 1/4 in. 1 3/8 in. 2 7/16 in. 3 1/2 in. 4 6 mm 5 8 mm 6 10 mm 7 12 mm Outside Collar: A 1/4 in. B 3/8 in. C 7/16 in. D 1/2 in. E 6 mm F 8 mm G 10 mm H 12 mm	Code			Length
		Connector/Cable	Wire				Pigtail			
		0500/0	2048/0				0	Z	N/A	None
		1000/0	2500/0				1	A	J	1 Ft.
		1024/0	4096/0				2	B	K	2 Ft.
		2000/0					3	C	L	3 Ft.
							4	D	M	4 Ft.
							5	E	N	5 Ft.
							6	F	P	6 Ft.
							7	G	Q	7 Ft.
							8	H	R	8 Ft.

† Available with 4, 6, 8 or 12 pole. (12 pole is designated by character "C")  
Examples: 1024/8 is 1024PPR, 8 pole; 2000/C is 2000PPR, 12 pole

**CONNECTION OPTIONS**  
You may choose an integral connector mounted in axial or radial position. Available with or without mating connector/cable. Alternatively, a direct-solder pigtail cable is offered.