

# Model 761

## Absolute Capacitance Manometer



VACUUM



### FEATURES

- Wide Compensated Temperature Range
- Extremely Low Noise
- Outstanding Long Term Stability
- CE Mark Compliant
- EU RoHS Compliant
- Fast Response Time for Control Applications

### APPLICATIONS

- Solar
- Semiconductor
  - Process Chambers
  - Load Locks
  - Wafer Handlers
  - Scrubbers
- Petrochemical
- Pharmaceutical
- Absorption Chillers
- Lasers
- Autoclaves
- Vacuum Packaging
- Freeze Drying
- Vacuum Distillation

### DESCRIPTION

The Model 761 is Setra's low cost absolute capacitance manometer designed for semi-conductor, petrochemical, pharmaceutical/process and industrial vacuum markets. The 761's new high frequency electronics design is fully RoHS compliant and yields extremely low noise, while maintaining the fast response time required for today's critical control applications. External noise rejection, fast warm up, resistance to environmental effects, and quick return to zero are unmatched by competing models costing twice as much.

### SPECIFICATIONS

Accuracy Data		Physical Description		Electrical Data	
Accuracy <sup>1,2</sup>	±0.5% of Reading ±0.25% of Reading (Optional)	Case	Powder Coated Cast Aluminum	Excitation/Output*	13 to 30 VDC for 0-10 VDC 9 to 30 VDC for 0-5 VDC
Response Time	<20 milliseconds	Dimensions	See reverse side	Current Consumption	<10 mA
Proof Pressure	45 psia	Electrical Connection	15 Pin D-Sub	CE Compliance	2004/108/EC
Resolution	Infinite, limited only by output noise level (≤0.005% FS)	Pressure Fittings	See Ordering Information	RoHS Compliant	EU RoHS 2011/65/EU
Long Term Stability	<±0.25% FS/YR, excluding environmental effects	Wetted Material	Inconel®		
		Cavity Volume	< 5cc		
Thermal Effects		Environmental Data		Pressure Media	
Compensated Range	+15 to +40°C	Temperature		Gases or liquids compatible with Inconel®. Inconel® wetted material is 0.5" tube option only. Other fitting options will add stainless steel.	
Zero Shift	<±0.02% FS/°C	Operating	+5 to +50°C		
Span Shift	<±0.04% Rdg/°C	Storage	-20 to +80°C		
1. Includes Non-Linearity, Non-Repeatability and Hysteresis		Shock	50 g Operating		

Specifications subject to change without notice.

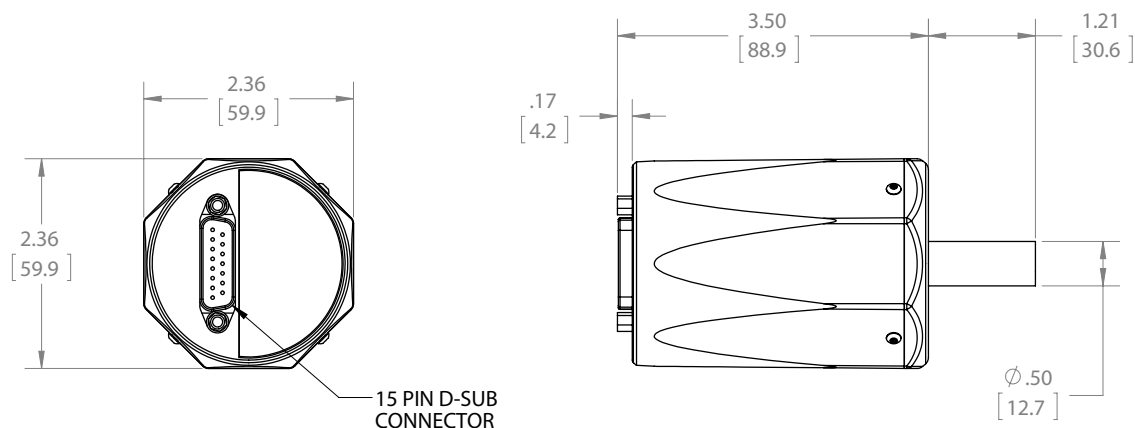
US Pat. 8,893,555

# Model 761

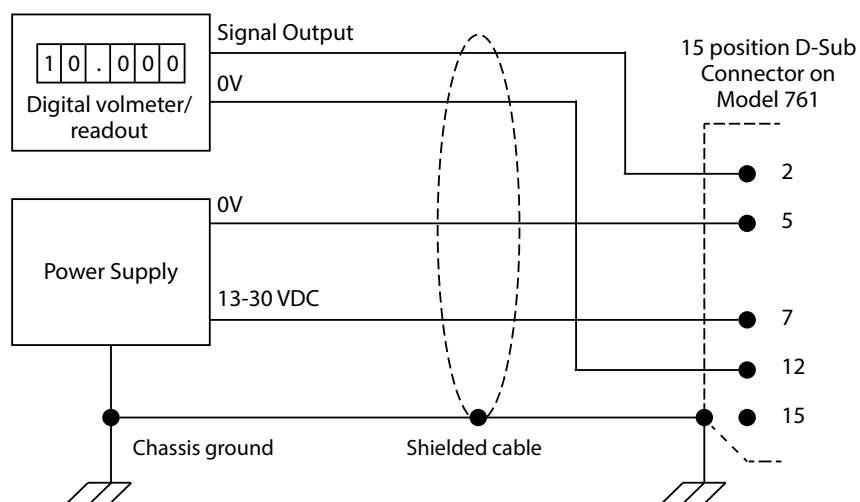
## Absolute Capacitance Manometer

VACUUM

### DIMENSIONS



### WIRING



### ORDERING INFORMATION

7 6 1 G - [ ] [ ] [ ] [ ] - [ ] - [ ] [ ] - [ ] [ ] - [ ] [ ] - [ ] [ ]

Model	Range	Pressure	Type of Fitting	Output	Elec. Termination	Accuracy
761G = 761	001T = 1 Torr	A Absolute	4T 0.5" OD Tube	2B 0-5 VDC	D2 15 Pin D-Sub	K ±0.5% of Reading
			N1 ISO NW16	2C 0-10 VDC		A ±0.25% of Reading
			N2 ISO NW25			
			N4 ISO NW40			
			D8 8VCR®, Female swivel			

Ordering Example: 761G001TAN12BD2K = Model 761, 1 Torr range, absolute pressure, ISO NW16 fitting, 0-5 VDC output, 15 Pin D-Sub electrical termination and accuracy of ±0.5% of Reading