

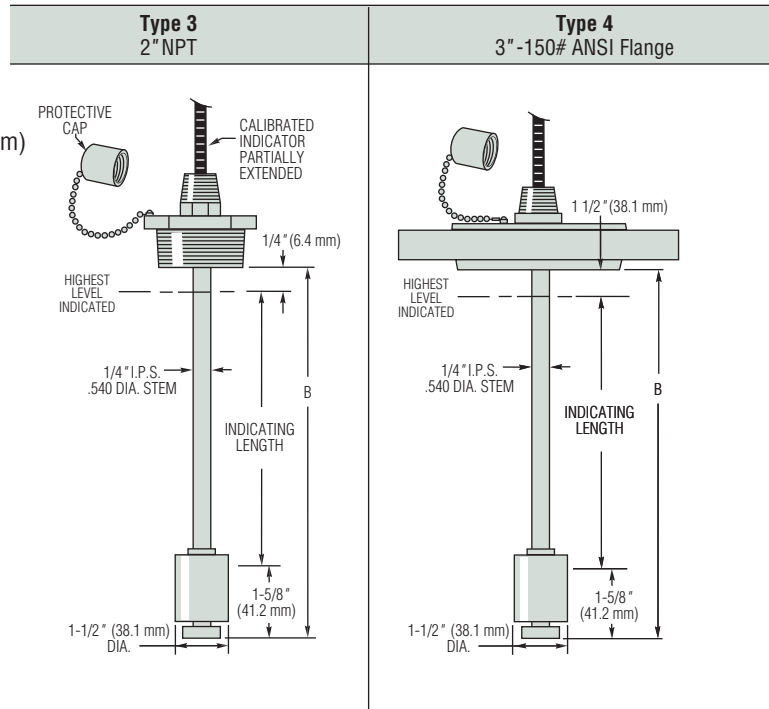
## All-PVC Versions Are Economical for Light Duty

- ▶ Temperatures to 140°F (60°C)
- ▶ Pressures to 15 PSI (1 bar) Max.

Ideal for chemical storage tanks, our all-PVC DIPTAPE Indicators provide one of your best values for liquid level monitoring. These light duty versions are recommended for use in calm liquids and ambient temperature and pressure levels. See Engineered Plastic versions on the next page for enhanced performance characteristics.

### 1. Mounting Types

"B" Dimension (Length Overall):  
Indicating Length + 1-7/8" (47.6 mm)




Stem, Float and Mounting Material	PVC
Min. Liquid Specific Gravity	0.65
Operating Temperatures	0°F to +140°F (-17.7°C to 60°C)
Operating Pressure, Max.	15 psi (1 bar)
Indicating Length*	6" to 72" (15.2 cm to 182.9 cm)
Std. Indication Markings	1/16" or 1 mm increments

\*For longer lengths, please consult factory.

### Ordering Is Easy

1. To specify DIPTAPE Level Indicators, start by photocopying the Order!T! Product Check List located on Page D-23.
2. Use the product information in this section to make your selections on the Check List. Please use a separate Check List for each unique configuration.
3. Fax your completed Order!T! Check List to Gems for a price quotation.  
Fax: 860-747-4244

 <p><b>FAX IT!</b> <b>860-747-4244</b></p> <p><b>Photocopy This Form</b></p> <p>Use one form for each product type you are selecting.</p> <p>This form may also be completed online at <a href="http://gemssensors.com">gemssensors.com</a> for RFQ.</p>	This is a <input type="checkbox"/> Request for a Quote		Name _____
	<input type="checkbox"/> Order P.O.# _____		Company _____
	Quantity Needed _____		Street _____
	Date Required ____/____/____		City _____ State ____ Zip _____
Shipping Method: _____			Phone ( ____ ) _____
Partials Accepted: <input type="checkbox"/> Yes			Fax ( ____ ) _____
<input type="checkbox"/> No			

## DIPTAPE Level Indicators

### Application Environment Conditions

This information is essential to the accurate and proper operation of your DipTape Level Indicators. Please complete fully and accurately.

- |  |                                |
|--|--------------------------------|
| <b>1. Liquid Media:</b> _____                                | <b>5. Viscosity:</b> _____ SSU |
| <b>2. Pressure:</b> Minimum _____ psig    Maximum _____ psig | <b>6. Tank Material:</b> _____ |
| <b>3. Temperature:</b> Minimum _____ °F    Maximum _____ °F  | <b>7. Tank Depth:</b> _____    |
| <b>4. Specific Gravity:</b> Minimum _____    Maximum _____   |                                |

#### 1. Mounting Type:

- Type B             Type C  
 Type 3             Type 4

#### 2. Material:

- PVC             PVDF             Polypropylene  
 Brass             316 Stainless Steel
- Flange – Alloy Version:
- 316 Stainless Steel             Carbon Steel

#### 3. Float Types:

- PVC             PVDF             Polypropylene  
 Buna N             316 Stainless Steel

#### 4. Stem Length (Length Overall) "B"

Dimension B = \_\_\_\_\_  inches  
 centimeters  
 Max. indicating length 72".  
 Other lengths, consult factory.

Please contact Gems for any configuration or special requirements not covered on this form. **800-378-1600**

Quote: \$ \_\_\_\_\_    Date Quoted: \_\_\_\_/\_\_\_\_/\_\_\_\_



**Gems Sensors & Controls**  
 One Cowles Road  
 Plainville, CT  
 06062-1198

tel 860.747.3000  
 fax 860.747.4244  
[www.gemssensors.com](http://www.gemssensors.com)