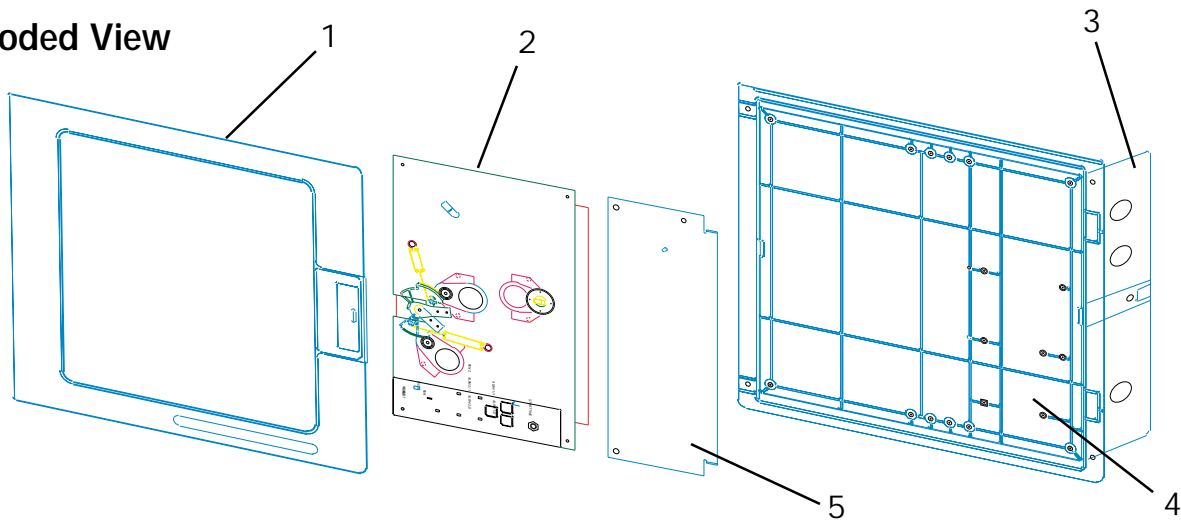


MRC 5000



ASSEMBLY

Exploded View



ASSEMBLY 1

COVER ASSEMBLY

All cover assemblies include cover, gasket, latch and pins used to attach cover to case.

<u>Parts Description</u>	<u>Part Number</u>
Std. MRC 5000	64432301
Std. MRC 5000 w/ Door Lock	64432302
NEMA 4X MRC 5000	64432303
Std. No Label	64432304
Std. No Label w/ Door Lock	64432305
NEMA 4X No Label	64432306
Window & Fasteners	64433001

ASSEMBLY 2

PLATEN ASSEMBLY

All platen assemblies include platen, display circuit board with key pad, processor circuit board, pen motor assembly, chart motor assembly, pen blade(s) and pen(s).

Recorder

<u>Parts Description</u>	<u>Part Number</u>
One Pen Std. Voltage	64432401
Two Pen Std. Voltage	64432402

One Pen w/Limit Std. Volt.	64432403
Two Pen w/Limit Std. Volt.	64432404

<u>Parts Description</u>	<u>Part Number</u>
One Pen w/Limit & Alarm & Comms Std. Volt.	64432413
Two Pen w/Limit & Alarm & Comms Std. Volt.	64432414

One Pen w/Alarm Std. Volt.	64432417
Two Pen w/Alarm Std. Volt.	64432418

One Pen w/Alarm & Comms Std. Volt.	64432421
Two Pen w/Alarm & Comms Std. Volt.	64432422

One Pen Low Voltage	64432425
Two Pen Low Voltage	64432426

One Pen w/Limit & Alarm Low Volt.	64432427
Two Pen w/Limit & Alarm Low Volt.	64432428

One Pen w/Limit & Alarm & Comms Low Volt.	64432437
Two Pen w/Limit & Alarm & Comms Low Volt.	64432438

One Pen w/Alarm Low Volt.	64432441
Two Pen w/Alarm Low Volt.	64432442

One Pen w/Alarm & Comms Low Volt.	64432445
Two Pen w/Alarm & Comms Low Volt.	64432446

Controller

One Pen w/Alarm & Configurator Std. Volt.	64432451
One Pen w/Alarm, Comms & Configurator Std. Volt.	64432452
Two Pen w/Limit, Alarm & Configurator Std. Volt.	64432453
Two Pen w/Limit, Alarm, Comms & Config. Std. Volt.	64432454
Two Pen w/Alarm & Configurator Std. Volt.	64432455
Two Pen w/Alarm, Comms & Config. Std. Volt.	64432456
One Pen w/Alarm & Config. Low Volt.	64432459
One Pen w/Alarm, Comms & Config. Low Volt.	64432460
Two Pen w/Limit, Alarm & Config. Low Volt.	64432461
Two Pen w/Limit, Alarm, Comms & Config. Low Volt.	64432462
Two Pen w/Alarm & Config. Low Volt.	64432463
Two Pen w/Alarm, Comms & Config. Std. Volt.	64432464

MRC 5000

ASSEMBLY 3

CASE ASSEMBLY

Includes pins for mounting door, brackets for platen, access door hardware.

<u>Parts Description</u>	<u>Part Number</u>
Case Assembly	64432501

ASSEMBLY 4

RELAY CIRCUIT BOARD

<u>Parts Description</u>	<u>Part Number</u>
Relay Position 1 2 3 4	64432601
Relay Position 1	64432602
Relay Position 3	64432603
Relay Position 1 2	64432604
Relay Position 3 4	64432605
Relay Position 1 3	64432606
Relay Position 1 2 3	64432607
Relay Position 1 3 4	64432608
Relay Mounting Screws	64433201
Relay Field Replacement Kit	64434801

ASSEMBLY 5

ACCESS DOOR

Includes Access Door, Mounting Brackets(top and bottom), Captive Screws, Labels and Vinyl Pocket.

<u>Parts Description</u>	<u>Part Number</u>
Access Door	64432701

ASSEMBLY 6 Misc. Parts

TRANSMITTER POWER SUPPLY

<u>Parts Description</u>	<u>Part Number</u>
24V DC Transmitter Power Supply	64433801

PEN BLADE

Includes Mounting Bracket

<u>Parts Description</u>	<u>Part Number</u>
Pen Blade	64431701

PROGRAMMING CARD

<u>Parts Description</u>	<u>Part Number</u>
Programming Card	FORM3763

CHART FLANGE ASSEMBLY

<u>Parts Description</u>	<u>Part Number</u>
Chart Flange Assembly	64432901

MOUNTING BRACKET

<u>Parts Description</u>	<u>Part Number</u>
Mounting Bracket	64402006

REPLACEMENT MOTOR

	<u>Part Number</u>
Chart Motor	SP10128103
Pen Motor	SP10128407

MRC 5000

MRC 5000 RECORDER & RECORDER/CONTROLLER ACCESSORIES

PEN CARTRIDGE(S)

<u>Parts Description</u>	<u>Part Number</u>
Red Cartridge (Sold in pkg. of 5)	60500402
Green Cartridges (Sold in pkg of 5)	60500401

CALIBRATION LABEL

<u>Parts Description</u>	<u>Part Number</u>
Calibration Label (Quantity of 10)	64433101

ADAPTER PLATE

<u>Parts Description</u>	<u>Part Number</u>
Plate to Mount MRC 5000 in MRC 7000 cutout	50033301
