

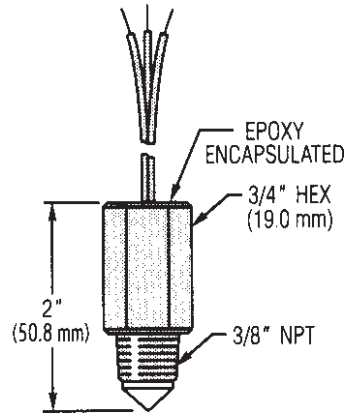


Electro-Optic Level Switch

ELS-1100 HT Series

Instruction Bulletin No. 152854

Dimensional Data . . .



Specifications . . .

Materials	
Housing and Prism	Isoplast®
Operating Pressure	0 to 150 PSI, Maximum
Operating Temperature*	-40°F to +212°F (-40°C to +100°C)
Current Consumption	45 mA, Approximately
Output	TTL/CMOS Compatible. Transistor Output with 10K Pull-Up Resistor May Sink 18 mA. 12 VDC input power units switch a maximum 5 VDC on output.
Repeatability	±1 mm
Electrical Termination	Lead Wires, 22 AWG, Polymeric, 12" to 14" Extended
Approvals	C.E. EN61326 Units Labeled U.L. File E108913

*These switches are not for use in freezing liquids.

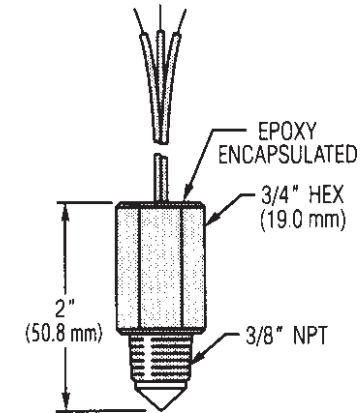


Electro-Optic Level Switch

ELS-1100 HT Series

Instruction Bulletin No. 152854

Dimensional Data . . .



Specifications . . .

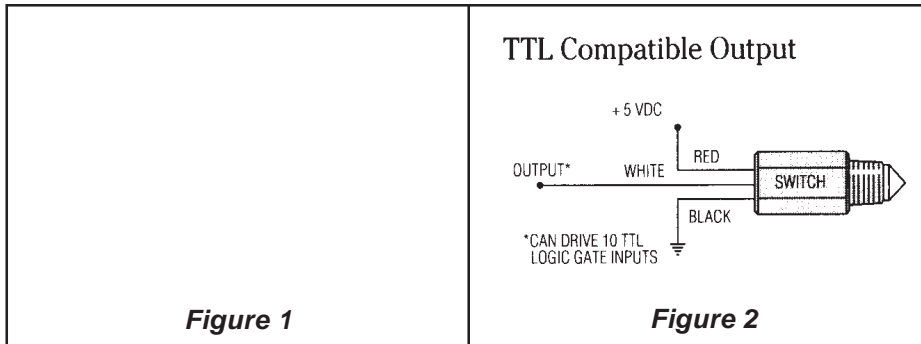
Materials	
Housing and Prism	Isoplast®
Operating Pressure	0 to 150 PSI, Maximum
Operating Temperature*	-40°F to +212°F (-40°C to +100°C)
Current Consumption	45 mA, Approximately
Output	TTL/CMOS Compatible. Transistor Output with 10K Pull-Up Resistor May Sink 18 mA. 12 VDC input power units switch a maximum 5 VDC on output.
Repeatability	±1 mm
Electrical Termination	Lead Wires, 22 AWG, Polymeric, 12" to 14" Extended
Approvals	C.E. EN61326 Units Labeled U.L. File E108913

*These switches are not for use in freezing liquids.

Installation . . .

1. Use Teflon (TFE) thread tape or Permatex #80725 plastic pipe sealant to seal thread. **Caution: Pipe sealant must not come in contact with prism surface.**
2. Thread sensor into tank wall and tighten by hand. Further tighten an additional one to two threads past hand-tightness. **(Avoid overtightening, as this may damage threads.)**
3. Sensor may be installed in **horizontal** or **vertical** positions, only.
4. Do not install sensor close to infrared sources.
5. Prism surface must be at least 2" from any reflective surfaces.
6. Connect appropriate voltage supply to red lead. For 12 VDC units (Part Numbers 153063 and 153064), connect to 12 VDC $\pm 5\%$ - For 5 VDC units (Part Numbers 153061 and 153062), connect to 5 VDC $\pm 5\%$.
7. Output Configuration: **See Fig. 1 and Fig. 2.**

Wiring Diagrams . . .



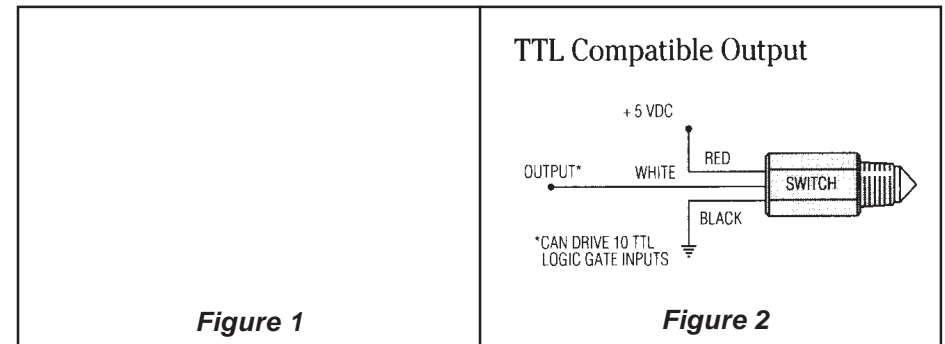
Maintenance . . .

Sensor may require a periodic cleaning of prism surface. **Chlorinated hydrocarbons must not be used for cleaning.** A mild detergent may be used to clean prism surface.

Installation . . .

1. Use Teflon (TFE) thread tape or Permatex #80725 plastic pipe sealant to seal thread. **Caution: Pipe sealant must not come in contact with prism surface.**
2. Thread sensor into tank wall and tighten by hand. Further tighten an additional one to two threads past hand-tightness. **(Avoid overtightening, as this may damage threads.)**
3. Sensor may be installed in **horizontal** or **vertical** positions, only.
4. Do not install sensor close to infrared sources.
5. Prism surface must be at least 2" from any reflective surfaces.
6. Connect appropriate voltage supply to red lead. For 12 VDC units (Part Numbers 153063 and 153064), connect to 12 VDC $\pm 5\%$ - For 5 VDC units (Part Numbers 153061 and 153062), connect to 5 VDC $\pm 5\%$.
7. Output Configuration: **See Fig. 1 and Fig. 2.**

Wiring Diagrams . . .



Maintenance . . .

Sensor may require a periodic cleaning of prism surface. **Chlorinated hydrocarbons must not be used for cleaning.** A mild detergent may be used to clean prism surface.