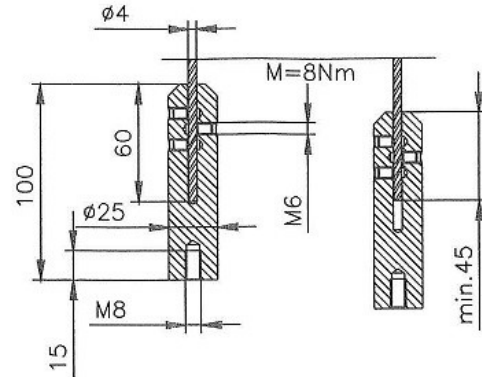


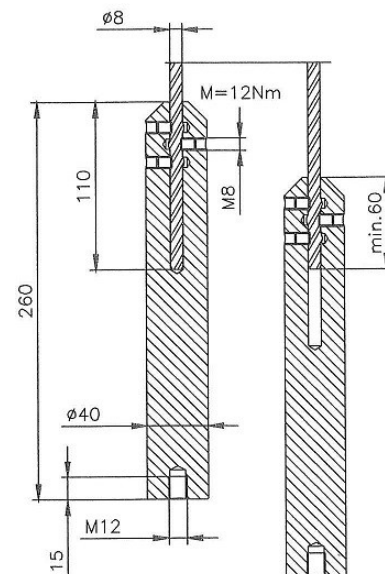
## Shortening of Cable and Rod Probes For 4mm, 8mm Cables and Rods

### Process for shortening Cables:

1. Detach socket set screws M6x10 from counterweight using 5mm Allen key.
2. Pull cable out of counterweight and select required length cable should be cut to.
3. Use tape to wrap tightly around cable to prevent the cable wires and strands from splaying out.
4. Use cable cutters or air cut off tool, proceed to cut the cable carefully.
5. Insert cable back into the counterweight and tighten down the set screws.
6. Change configuration parameters on RLI-G sensor to accommodate new probe length; the reference point is to the top edge of the counterweight.



**Note: If required, the cable probes can be shortened, but this applies ONLY when used in liquids.**



### Process for shortening Rods 8mm and 14mm:

1. Cut rod carefully to desired length (recommend the use of an air cut off tool or cold cut saw).
2. Deburr the end of the rod after cutting to avoid any injuries from cuts and/or chips from entering media.
3. Change configuration parameters on RLI-G sensor to accommodate new probe length.